

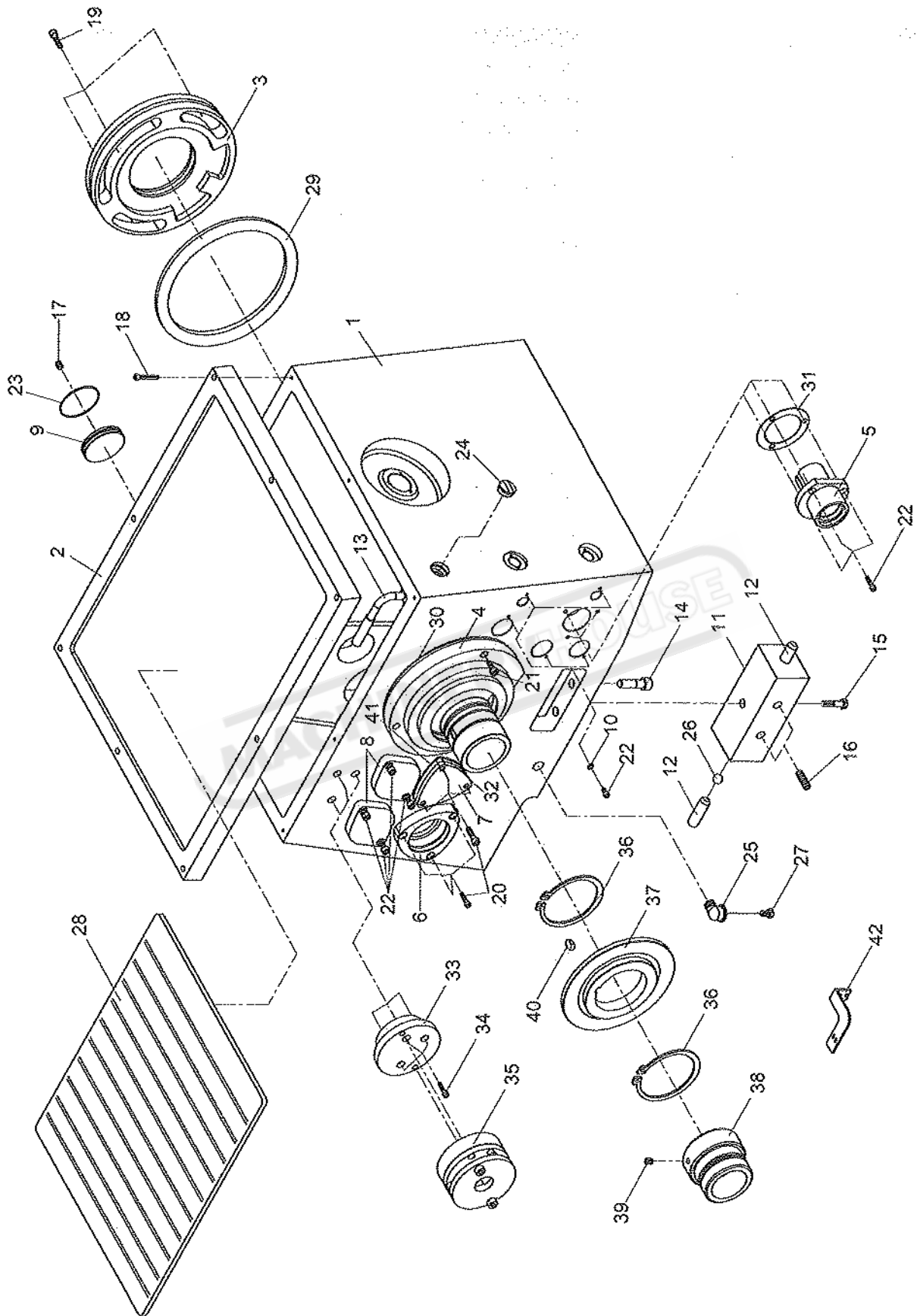
# PARTS LIST

MA



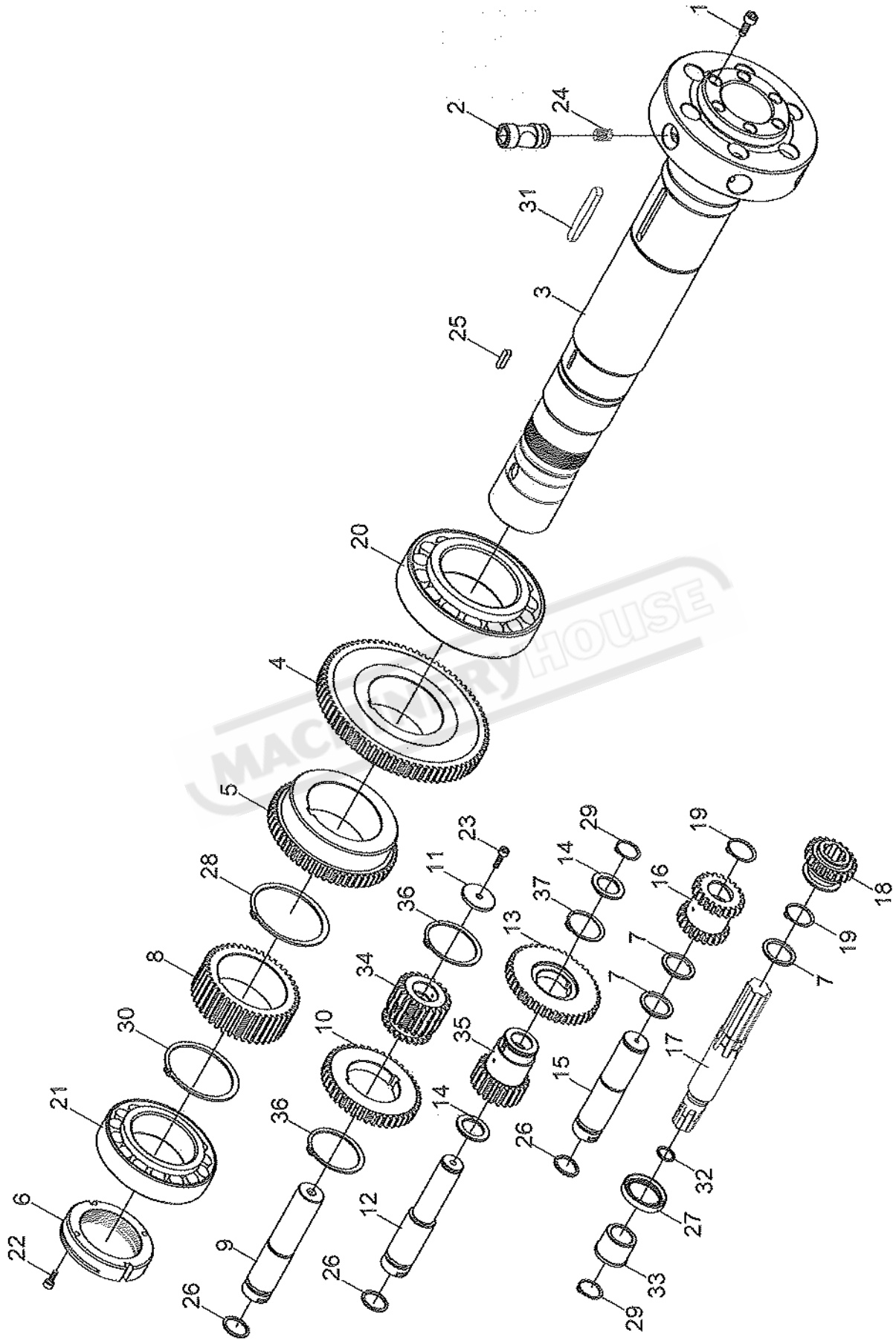
<u>NO.</u>	<u>PART NO.</u>	<u>DESCRIPTION</u>	<u>QUANTITY</u>
1.	C-1001	Headstock Casting	1
2.	C-1002	Headstock Cover	1
3.	C-1003	Front Bearing Cover	1
4.	C-1004	Rear Bearing Cover	1
5.	C-1005	Flanged Bearing	1
6.	C-1006	Bearing Housing	1
7.	C-1007-2	Cover	1
8.	C-1008	Cover	2
9.	C-1009	Bore Plugs	3
10.	R-1030	Washers	5
11.	C-1011	Set-Over Pad	1
12.	C-1012	Pins	2
13.	C-1154	Pipe	1
14.	A-1241	Socket Head Cap Screw (M12x35)	4
15.	A-1424	Hexagon Head Bolt (M10x30)	3
16.	A-1113	Socket Headless Set Screw (M12x20)	2
17.	A-1108	Socket Headless Set Screw (M10x10)	3
18.	A-1209	Socket Head Cap Screw (M6x45)	8
19.	A-1207	Socket Head Cap Screw (M6x35)	3
20.	A-1205	Socket Head Cap Screw (M6x25)	6
21.	A-1204	Socket Head Cap Screw (M6x20)	3
22.	A-1202	Socket Head Cap Screw (M6x12)	11
23.	A-6021	O-Ring (G55)	3
24.	A-9502	Oil Sight ( $\phi$ 32)	1
25.	A-1127	Elbow (3/4"PT)	1
26.	A-9205	Ball ( $\phi$ 3/8")	2
27.	A-1121	Plug (3/8"PT)	1
28.	C-1002-1	Foam Plate	1
29.	C-1003-1	Gasket	1
30.	C-1004-1	Gasket	1
31.	C-1005-1	Gasket	1
32.	C-1007-1	Gasket	1
33.	A-7269	Key (12x8x20)	1
34.	C-1007	Gasket	1
35.	C-3089	Frame	1

### HEADSTOCK : CASTING(MAGNETIC BRAKE SYSTEM-OPTION)



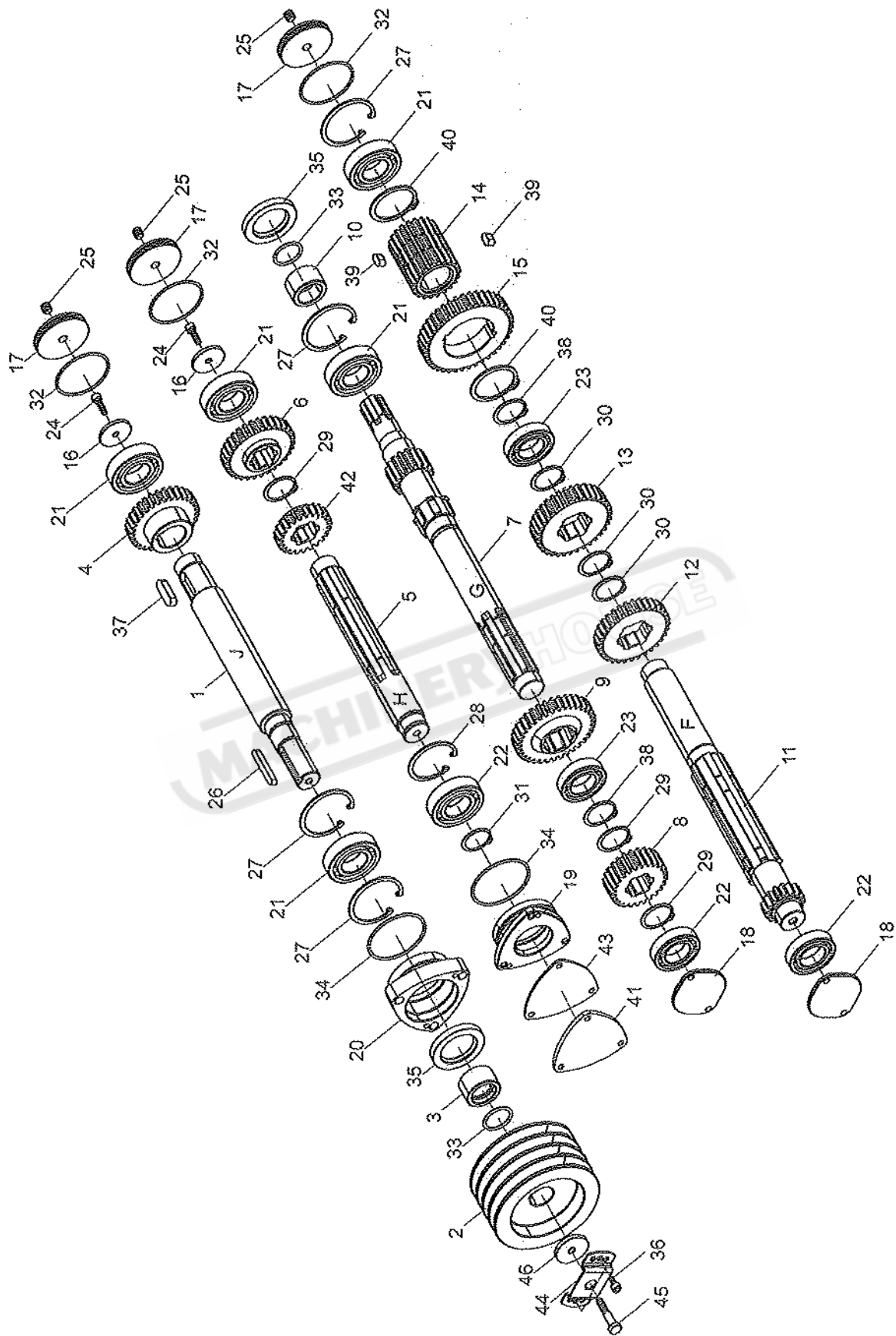
<u>NO.</u>	<u>PART NO.</u>	<u>DESCRIPTION</u>	<u>QUANTITY</u>
1.	C-1001	Headstock Casting	1
2.	C-1002	Headstock Cover	1
3.	C-1003	Front Bearing Cover	1
4.	C-1004	Rear Bearing Cover	1
5.	C-1005	Flanged Bearing	1
6.	C-1006	Bearing Housing	1
7.	C-1007-2	Cover	1
8.	C-1008	Cover	2
9.	C-1009	Bore Plugs	3
10.	R-1030	Washers	5
11.	C-1011	Set-Over Pad	1
12.	C-1012	Pins	2
13.	C-1154	Pipe	1
14.	A-1241	Socket Head Cap Screw (M12x35)	4
15.	A-1424	Hexagon Head Bolt (M10x30)	3
16.	A-1113	Socket Headless Set Screw (M12x20)	2
17.	A-1108	Socket Headless Set Screw (M10x10)	3
18.	A-1209	Socket Head Cap Screw (M6x45)	8
19.	A-1207	Socket Head Cap Screw (M6x35)	3
20.	A-1205	Socket Head Cap Screw (M6x25)	6
21.	A-1204	Socket Head Cap Screw (M6x20)	3
22.	A-1202	Socket Head Cap Screw (M6x12)	11
23.	A-6021	O-Ring (G55)	3
24.	A-9502	Oil Sight ( $\phi$ 32)	1
25.	A-1127	Elbow (3/4"PT)	1
26.	A-9205	Ball ( $\phi$ 3/8")	2
27.	A-1121	Plug (3/8"PT)	1
28.	C-1002-1	Foam Plate	1
29.	C-1003-1	Gasket	1
30.	C-1004-1	Gasket	1
31.	C-1005-1	Gasket	1
32.	C-1007-1	Gasket	1
33.	C-1170	Brake Base	1
34.	A-1258	Socket Head Cap Screw (M8x35)	3
35.	FA-4001	Caliper Brake	1
36.	A-3333	Circlip (S72)	2
37.	C-1177	Main Spindle Brake Disc	1
38.	J-1067	Adapter	1
39.	A-1139	Socket Headless Set Screw (M6x8)	3
40.	A-7269	Key (12x8x20)	1
41.	C-1007	Gasket	1
42.	C-8039	Frame	1

### HEADSTOCK : SPINDLE & GEARS



<u>NO.</u>	<u>PART NO.</u>	<u>DESCRIPTION</u>	<u>QUANTITY</u>
1.	C-1016	Cam Screw	6
2.	C-1018	Cams	6
3.	C-1019	Main Spindle	1
4.	C-1020	Spindle Gear (75T)	1
5.	C-1021	Spindle Gear (56T)	1
6.	C-1022	Nut	1
7.	C-1031	Collars	3
8.	C-1021	Gear (42T)	1
9.	C-1026	Shaft (E)	1
10.	C-1027A	Sliding Gear (42T)	1
11.	C-1028	Washer	1
12.	C-1029-1	Shaft (D)	1
13.	C-1030	Gear (42T)	1
14.	C-1222	Collar	2
15.	C-1032	Shaft (C)	1
16.	C-1033	Double Gear (21T/21T)	1
17.	C-1035	Shaft (B)	1
18.	C-1036	Gear (21T)	1
19.	A-3312	Circlip (S30)	2
20.	A-2020	Front Bearing (#32218)	1
21.	A-2019	Rear Bearing (#32215)	1
22.	A-1203	Socket Head Cap Screw (M6x16)	2
23.	A-1204	Socket Head Cap Screw (M6x20)	1
24.	A-8401	Cam Spring	6
25.	A-7224	Key (6x6x25)	1
26.	A-6013	O-Ring (P25)	3
27.	A-5018	Oil Seal (35.50.8)	1
28.	A-3323	Circlip (S85)	1
29.	A-3309	Circlip (S25)	2
30.	A-3321	Circlip (S80)	1
31.	A-7225	Key (10x8x75)	1
32.	A-6009	O-Ring (P21)	1
33.	C-1035-1	Collar	1
34.	C-1027B	Gear (21T)	1
35.	C-1030-2	Gear (21T)	1
36.	A-3325	Circlip (S60)	2
37.	A-3328	Circlip (S40)	1

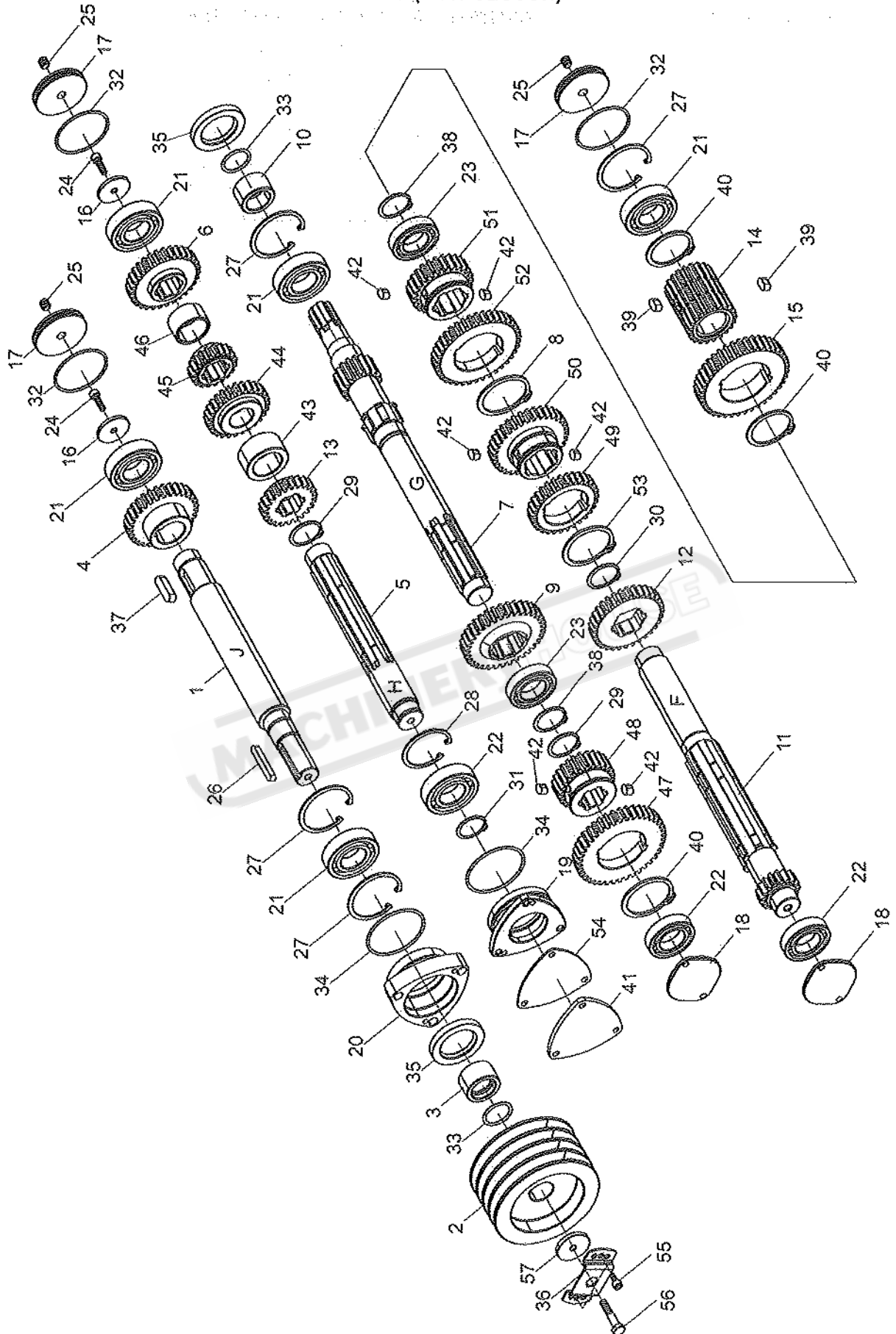
### HEADSTOCK : DRIVEN SHAFT & GEARS. ( VARISPEED )





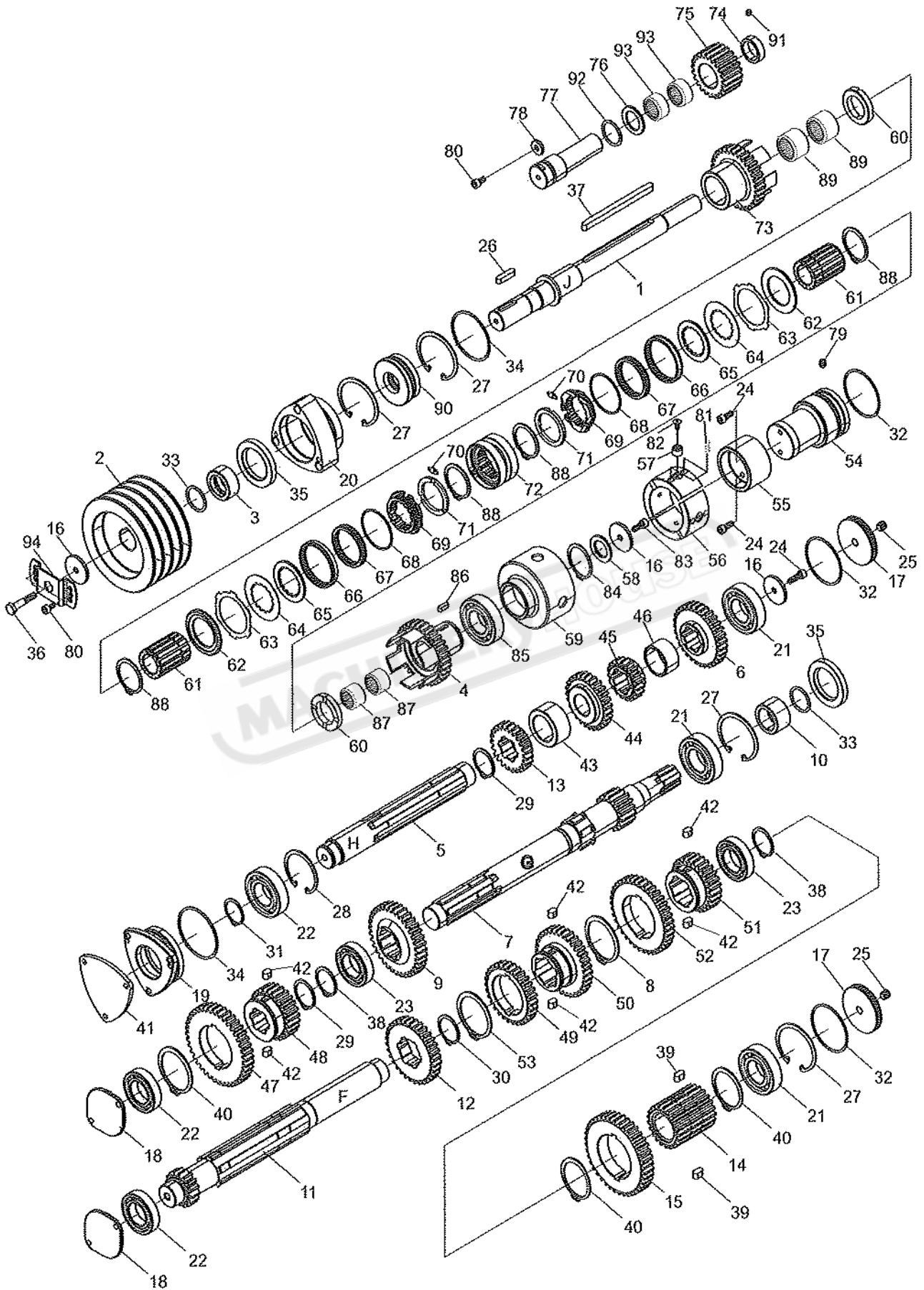
<u>NO.</u>	<u>PART NO.</u>	<u>DESCRIPTION</u>	<u>QUANTITY</u>	<u>NO.</u>	<u>PART NO.</u>	<u>DESCRIPTION</u>	<u>QUANTITY</u>
1.	C-1038	Shaft (J)	1	41.	C-1007-2	Cover	1
2.	C-1040-1	Pulley	1	42.	C-1045	Gear (23T)	1
3.	C-1041	Spacer	1	43.	C-1007	Gasket	1
4.	C-1042	Gear (31T)	1	44.	C-1096	Clamp Plate	1
5.	C-1043	Shaft (H)	1	45.	A-1425	Hexagon Head Screw (M8x20)	1
6.	C-1050	Gear (31T)	1	46.	T-1005	Washer	1
7.	C-1052	Shaft (G)	1				
8.	C-1053-1	Gear (25T)	1				
9.	C-1054	Gear (35T)	1				
10.	C-1055	Collar	1				
11.	C-1056	Shaft (F)	1				
12.	C-1057-1	Gear (32T)	1				
13.	C-1058-1	Gear (34T)	1				
14.	C-1060A	Compound Gear (21T)	1				
15.	C-1060B	Gear (40T)	1				
16.	C-1028	Washer	2				
17.	C-1009	Plug	3				
18.	C-1008	Cover	2				
19.	C-1007-1	Bearing Housing	1				
20.	C-1006	Bearing Housing	1				
21.	A-2036	Bearing (#6206)	5				
22.	A-2029	Bearing (#6006)	3				
23.	A-2030	Bearing (#6007)	2				
24.	A-1204	Socket Head Cap Screw (M6x20)	2				
25.	A-1108	Socket Headless Set Screw (M10x10)	3				
26.	A-7226	Key (7x7x50)					
27.	A-3206	Circlip (R62)	4				
28.	A-3205	Circlip (R55)	1				
29.	A-3324	Circlip (S34)	3				
30.	A-3316	Circlip (S42)	3				
31.	A-3312	Circlip (S30)	1				
32.	A-6021	O-Ring (G55)	3				
33.	A-6014	O-Ring (P28)	2				
34.	A-6028	O-Ring (AN6230/9)	2				
35.	A-5020	Oil Seal (TC40x60x10)	2				
36.	A-1202	Socket Head Cap Screw (M6x12)	2				
37.	A-7227	Key (10x8x35)	1				
38.	A-3314	Circlip (S35)	2				
39.	A-7275	Key (8x8x15)	2				
40.	A-3331	Circlip (S58)	2				

### HEADSTOCK : DRIVEN SHAFT & GEARS.(NON-CLUTCH)



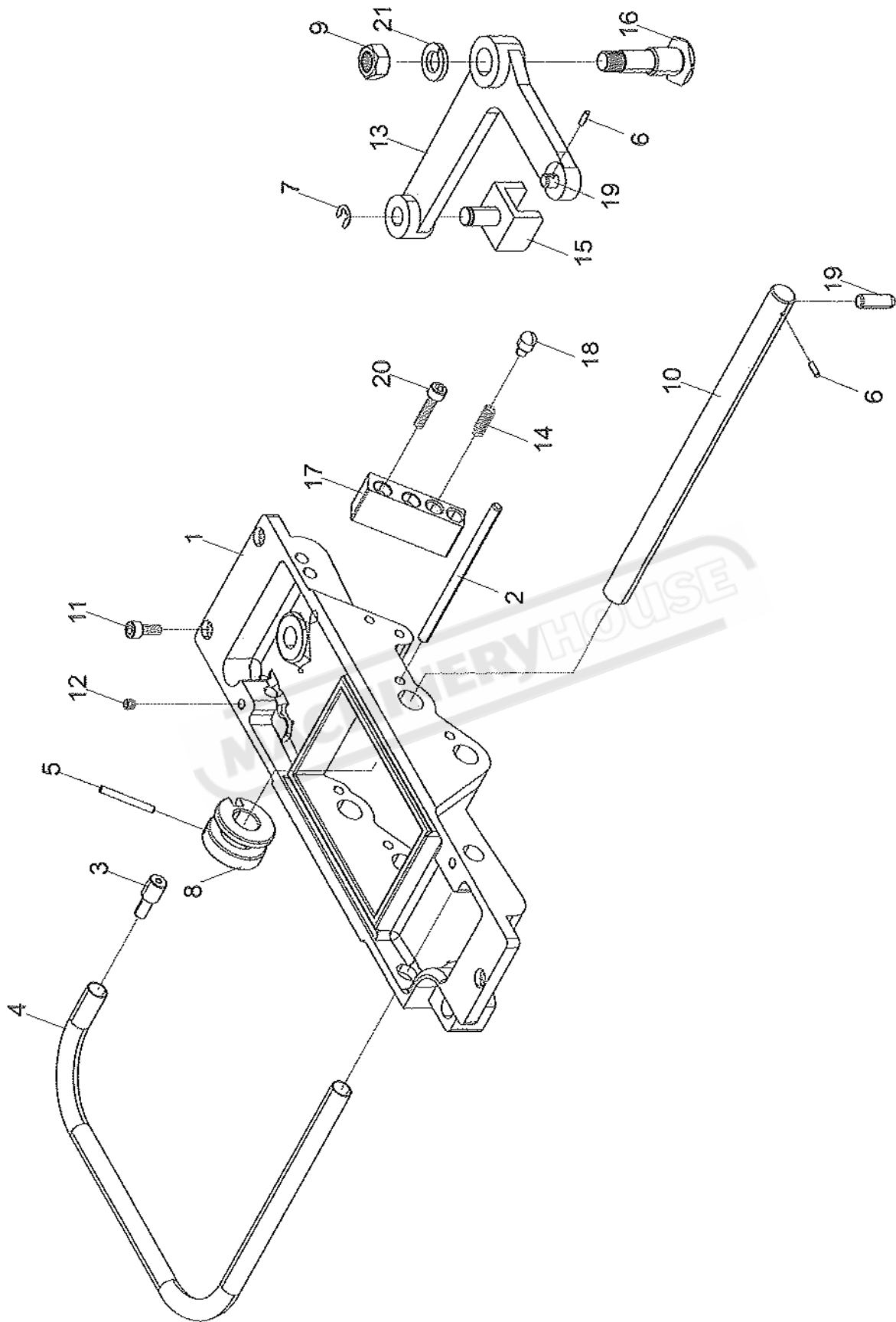
<u>NO.</u>	<u>PART NO.</u>	<u>DESCRIPTION</u>	<u>QUANTITY</u>	<u>NO.</u>	<u>PART NO.</u>	<u>DESCRIPTION</u>	<u>QUANTITY</u>
1.	C-1038	Shaft (J)	1	41.	C-1007-2	Cover	1
2.	C-1040-1	Pulley	1	42.	A-7247	Key (8x8x12)	6
3.	C-1041	Spacer	1	43.	C-1046	Spacer	1
4.	C-1042	Gear (31T)	1	44.	C-1047	Gear (27T)	1
5.	C-1043	Shaft (H)	1	45.	C-1048	Gear (19T)	1
6.	C-1050	Gear (31T)	1	46.	C-1049	Spacer	1
7.	C-1052	Shaft (G)	1	47.	C-1053A	Gear (40T)	1
8.	A-3346	Circlip (S56)	1	48.	C-1053B	Gear (25T)	1
9.	C-1054	Gear (35T)	1	49.	C-1058A	Gear (34T)	1
10.	C-1055	Collar	1	50.	C-1058B	Gear (30T)	1
11.	C-1056	Shaft (F)	1	51.	C-1059A	Gear (26T)	1
12.	C-1057-1	Gear (32T)	1	52.	C-1059B	Gear (38T)	1
13.	C-1045	Gear (23T)	1	53.	A-3345	Circlip (S52)	1
14.	C-1060A	Compound Gear (21T)	1	54.	C-1007	Gasket	1
15.	C-1060B	Gear (40T)	1	55.	A-1202	Socket Head Cap Screw (M6x12)	2
16.	C-1028	Washer	2	56.	A-1425	Hexagon Head Screw (M8x20)	1
17.	C-1009	Plug	3	57.	T-1005	Washer	1
18.	C-1008	Cover	2				
19.	C-1007-1	Bearing Housing	1				
20.	C-1006	Bearing Housing	1				
21.	A-2036	Bearing (#6206)	5				
22.	A-2029	Bearing (#6006)	3				
23.	A-2030	Bearing (#6007)	2				
24.	A-1425	Socket Head Cap Screw (M8x20)	2				
25.	A-1108	Socket Headless Set Screw (M10x10)	3				
26.	A-7226	Key (7x7x50)	1				
27.	A-3206	Circlip (R62)	4				
28.	A-3205	Circlip (R55)	1				
29.	A-3324	Circlip (S34)	2				
30.	A-3316	Circlip (S42)	1				
31.	A-3312	Circlip (S30)	1				
32.	A-6021	O-Ring (G55)	3				
33.	A-6014	O-Ring (P28)	2				
34.	A-6028	O-Ring (AN6230/9)	2				
35.	A-5020	Oil Seal (TC40x60x10)	2				
36.	C-1096	Clamp Plate	1				
37.	A-7227	Key (10x8x35)	1				
38.	A-3314	Circlip (S35)	2				
39.	A-7275	Key (8x8x15)	2				
40.	A-3331	Circlip (S58)	3				

### HEADSTOCK : CLUTCH SHAFT & GEARS



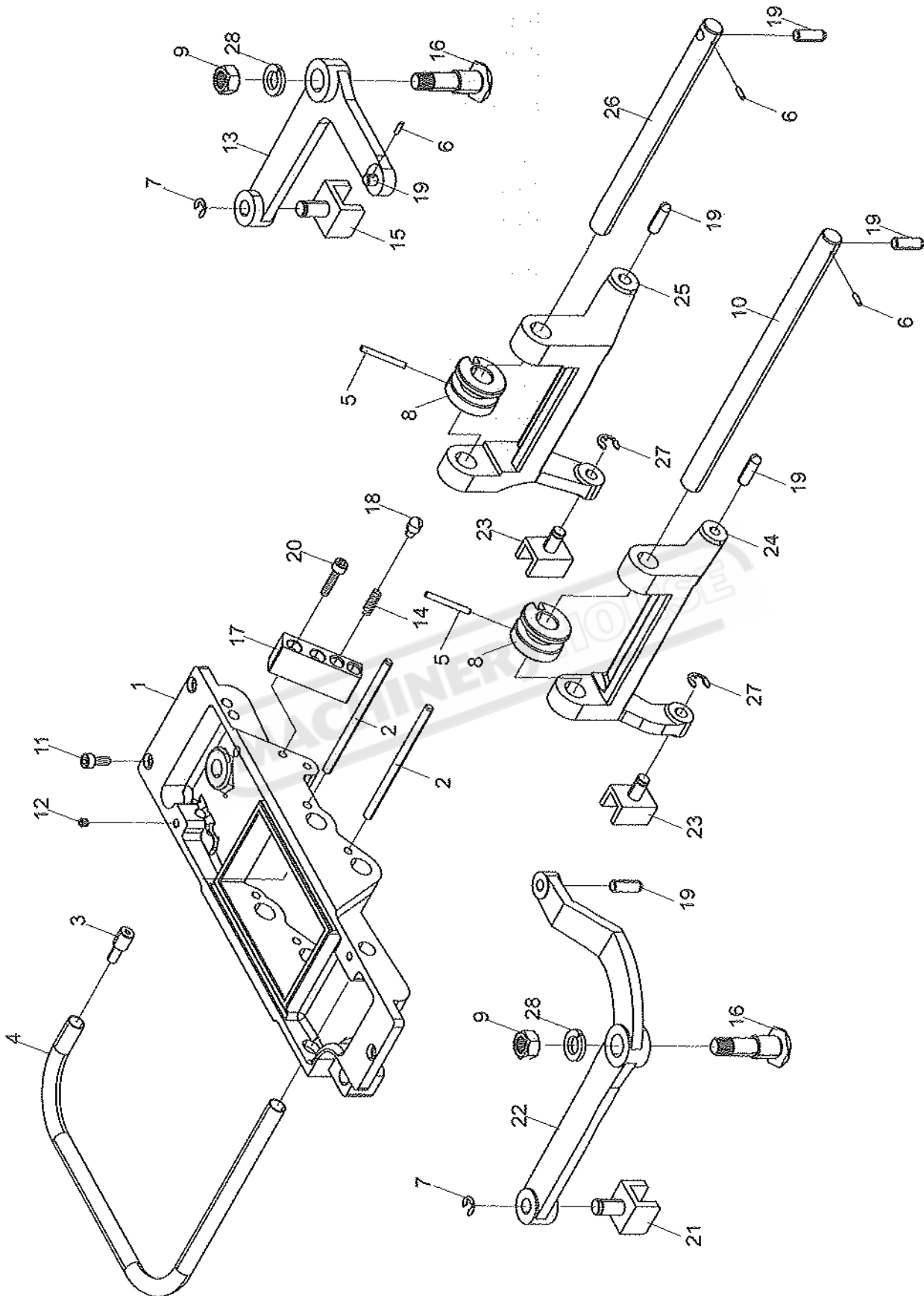
NO.	PART NO.	DESCRIPTION	QUANTITY	NO.	PART NO.	DESCRIPTION	QUANTITY
1.	C-1201	Shaft (J)	1	51.	C-1059A	Gear (26T)	1
2.	C-1040-1	Pulley	1	52.	C-1059B	Gear (38T)	1
3.	C-1211	Spacer	1	53.	A-3345	Circlip (S52)	1
4.	C-1203	Gear (31T)	1	54.	C-1215	Brake Shaft	1
5.	C-1043	Shaft (H)	1	55.	C-1216	Brake Disc	1
6.	C-1050	Gear (31T)	1	56.	C-1217	Pads	4
7.	C-1052	Shaft (G)	1	57.	M-1218	Pegs	4
8.	A-3346	Circlip (S56)	1	58.	C-1209	Washer	1
9.	C-1054	Gear (35T)	1	59.	C-1219	Brake Housing	1
10.	C-1055	Collar	1	60.	C-1207	Washer	2
11.	C-1056	Shaft (F)	1	61.	C-1418C	Hubs	2
12.	C-1057-1	Gear (32T)	1	62.	C-1410C	End Flanges	2
13.	C-1045	Gear (23T)	1	63.	C-1447C	Outer Plates	10
14.	C-1060A	Compound Gear (21T)	1	64.	C-1444C	Inner Plates	12
15.	C-1060B	Gear (40T)	1	65.	C-1450C	Lock Plates	2
16.	C-1028	Washer	3	66.	C-1462C	Locking Plates	2
17.	C-1009	Plug	2	67.	C-1430C	Adjusting Nuts	2
18.	C-1008	Cover	2	68.	C-1488	Springs	2
19.	C-1007-1	Bearing Housing	1	69.	C-1407C	Track Rings	2
20.	C-1212	Bearing Housing	1	70.	C-1382C	Bearing Assembly	6
21.	A-2036	Bearing (#6206)	3	71.	C-1494C	Thrust Washers	2
22.	A-2029	Bearing (#6006)	3	72.	C-1399C	Operating Collar	1
23.	A-2030	Bearing (#6007)	2	73.	C-1202	Gear (31T)	1
24.	A-1204	Socket Head Cap Screw (M6x20)	3	74.	C-1222-1	Washer	1
25.	A-1108	Socket Headless Set Screw (M10x10)	2	75.	C-1204	Gear (22T)	1
26.	A-7230	Key (7x7x30)	1	76.	C-1222	Washer	1
27.	A-3206	Circlip (R62)	4	77.	C-1221	Shaft (A)	1
28.	A-3205	Circlip (R55)	1	78.	R-1030	Washer	1
29.	A-3324	Circlip (S34)	2	79.	A-1106	Socket Headless Set Screw (M8x8)	1
30.	A-3316	Circlip (S42)	1	80.	A-1202	Socket Head Cap Screw (M6x12)	2
31.	A-3312	Circlip (S30)	1	81.	A-8410	Spring	8
32.	A-6021	O-Ring (G55)	3	82.	A-1612	Flat Head Cap Screw (M6x16)	4
33.	A-6014	O-Ring (P28)	2	83.	A-1525	Socket Head Cap Screw (M6x16)	1
34.	A-6028	O-Ring (AN6230/9)	2	84.	A-3328	Circlip (S40)	1
35.	A-5020	Oil Seal (TC40x60x10)	2	85.	A-2047	Bearing (#6008)	1
36.	A-1425	Hexagon Head Screw (M8x20)	1	86.	A-7256	Key (5x5x16)	1
37.	A-7246	Key (8x8x125)	1	87.	A-2110	Needle Bearing (TLA2220)	2
38.	A-3314	Circlip (S35)	2	88.	C-1388C	Circlip	4
39.	A-7275	Key (8x8x15)	2	89.	A-2132	Bearing (TLA3020)	2
40.	A-3331	Circlip (S58)	3	90.	A-2048	Bearing (#5206)	1
41.	C-1007-2	Cover	1	91.	A-1100	Socket Headless Set Screw (M6x6)	1
42.	A-7247	Key (8x8x12)	6	92.	A-6013	O-Ring (P25)	1
43.	C-1046	Spacer	1	93.	A-2131	Bearing (TLA2516)	2
44.	C-1047	Gear (27T)	1	94.	C-1096	Clamp Plate	1
45.	C-1048	Gear (19T)	1				
46.	C-1049	Spacer	1				
47.	C-1053A	Gear (40T)	1				
48.	C-1053B	Gear (25T)	1				
49.	C-1058A	Gear (34T)	1				
50.	C-1058B	Gear (30T)	1				

### HEADSTOCK : CONTROL FRAME ASSEMBLY (VARISPEED)



<u>NO.</u>	<u>PART NO.</u>	<u>DESCRIPTION</u>	<u>QUANTITY</u>
1.	C-1061	Lever Frame	1
2.	C-1062	Rod	1
3.	C-1063	Peg	1
4.	C-1064	Lubrication Pipe	1
5.	A-4003	Pin ( $\phi$ 4x36)	1
6.	A-4000	Pin ( $\phi$ 3x10)	2
7.	A-3102	Circlip (E8)	1
8.	C-1068	Collar Assembly	1
9.	A-1703	Nut (M12)	1
10.	C-1070	Rod	1
11.	A-1203	Socket Head Cap Screw (M6x16)	3
12.	A-1100	Socket Headless Set Screw (M6x6)	2
13.	C-1073	Lever	1
14.	A--8402	Spring	1
15.	C-1074-2	Shift Fork	1
16.	C-1075	Bolt	1
17.	C-1076	Bracket	1
18.	C-1077	Plunger	1
19.	C-1156	Pin	2
20.	A-1205	Socket Head Cap Screw (M6X25)	2
21.	A-1805	Spring Washer ( $\phi$ 12 )	1

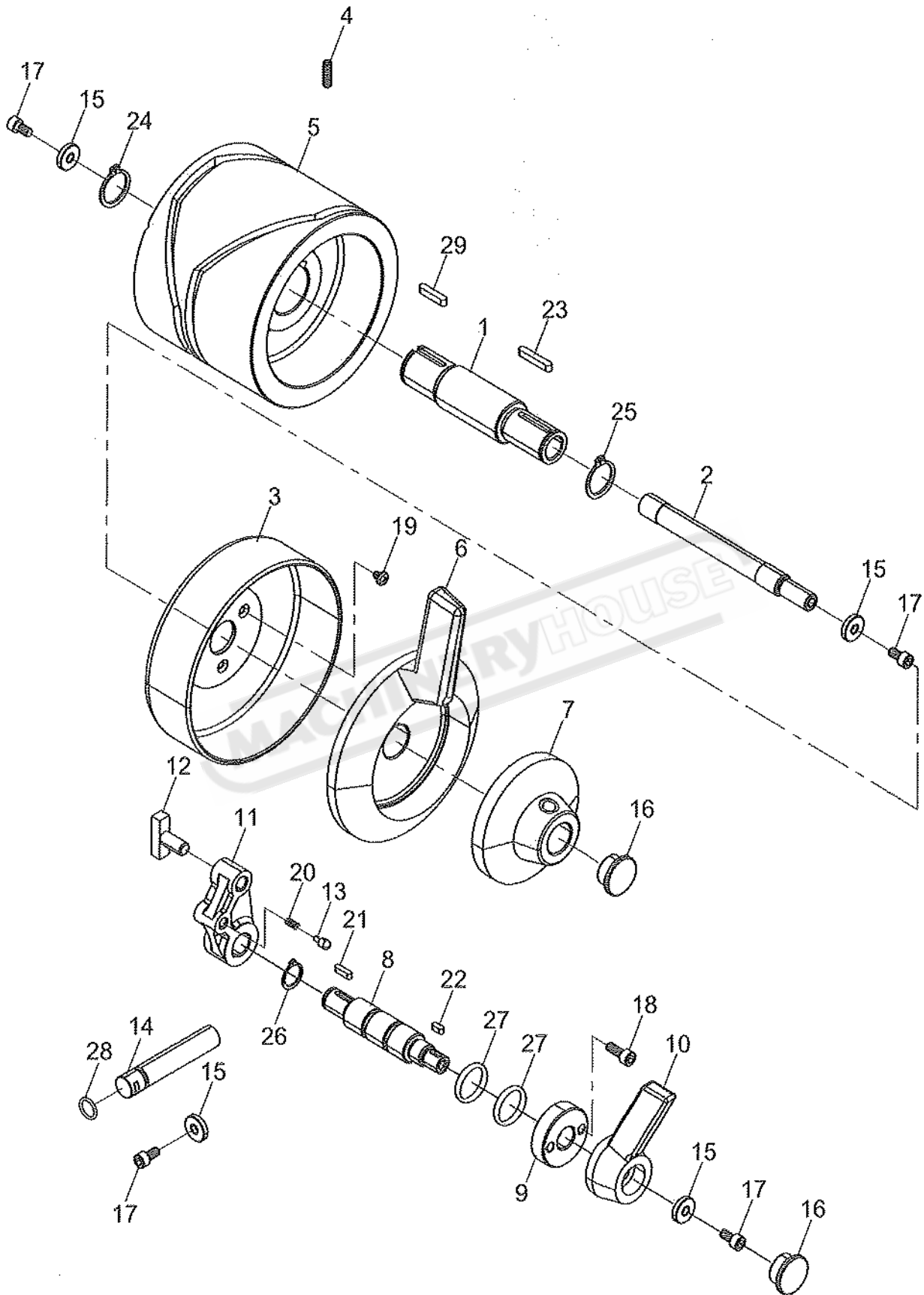
### HEADSTOCK : CONTROL FRAME ASSEMBLY





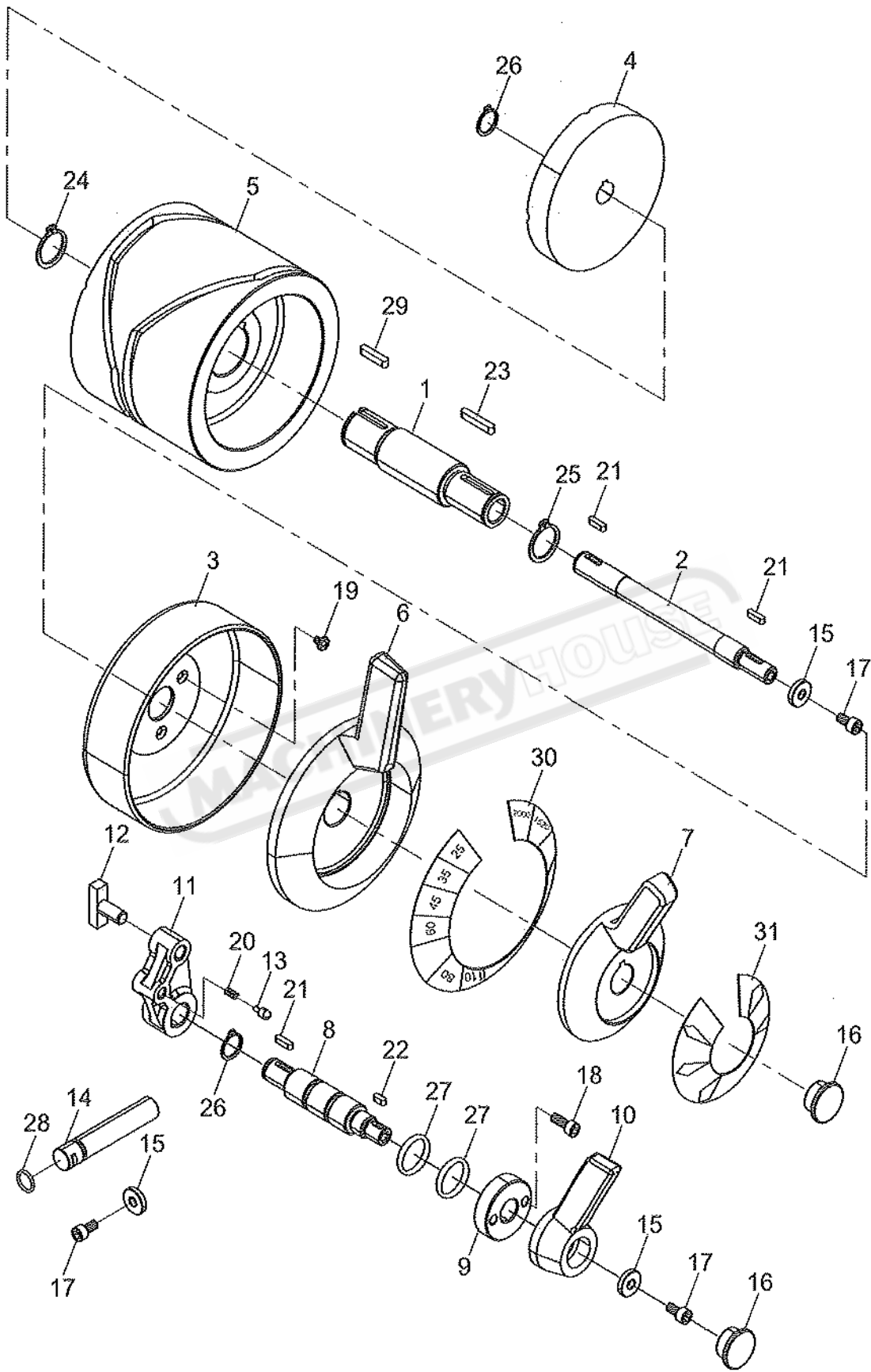
<u>NO.</u>	<u>PART NO.</u>	<u>DESCRIPTION</u>	<u>QUANTITY</u>
1.	C-1061	Lever Frame	1
2.	C-1062	Rod	2
3.	C-1063	Peg	1
4.	C-1064	Lubrication Pipe	1
5.	A-4003	Pin ( $\phi$ 4x36)	2
6.	A-4000	Pin ( $\phi$ 3x10)	2
7.	A-3102	Circlip (E8)	2
8.	C-1068	Collar Assembly	2
9.	A-1703	Nut (M12)	2
10.	C-1070	Rod	1
11.	A-1203	Socket Head Cap Screw (M6x16)	3
12.	A-1100	Socket Headless Set Screw (M6x6)	2
13.	C-1073	Lever	1
14.	A-8402	Spring	1
15.	C-1074-2	Shift Fork	1
16.	C-1075	Bolt	2
17.	C-1076	Bracket	1
18.	C-1077	Plunger	1
19.	C-1156	Pin	6
20.	A-1205	Socket Head Cap Screw (M6X25)	2
21.	C-1074-1	Shift Fork	1
22.	C-1072	Lever	1
23.	C-1066	Shift Fork	2
24.	C-1065	Lever Bracket Assembly	1
25.	C-1069	Lever Bracket Assembly	1
26.	C-1070	Rod	1
27.	A-3103	Circlip (E10)	2
28.	A-1805	Spring Washer ( $\phi$ 12)	2

### HEADSTOCK : CONTROLS (VARISPEED)



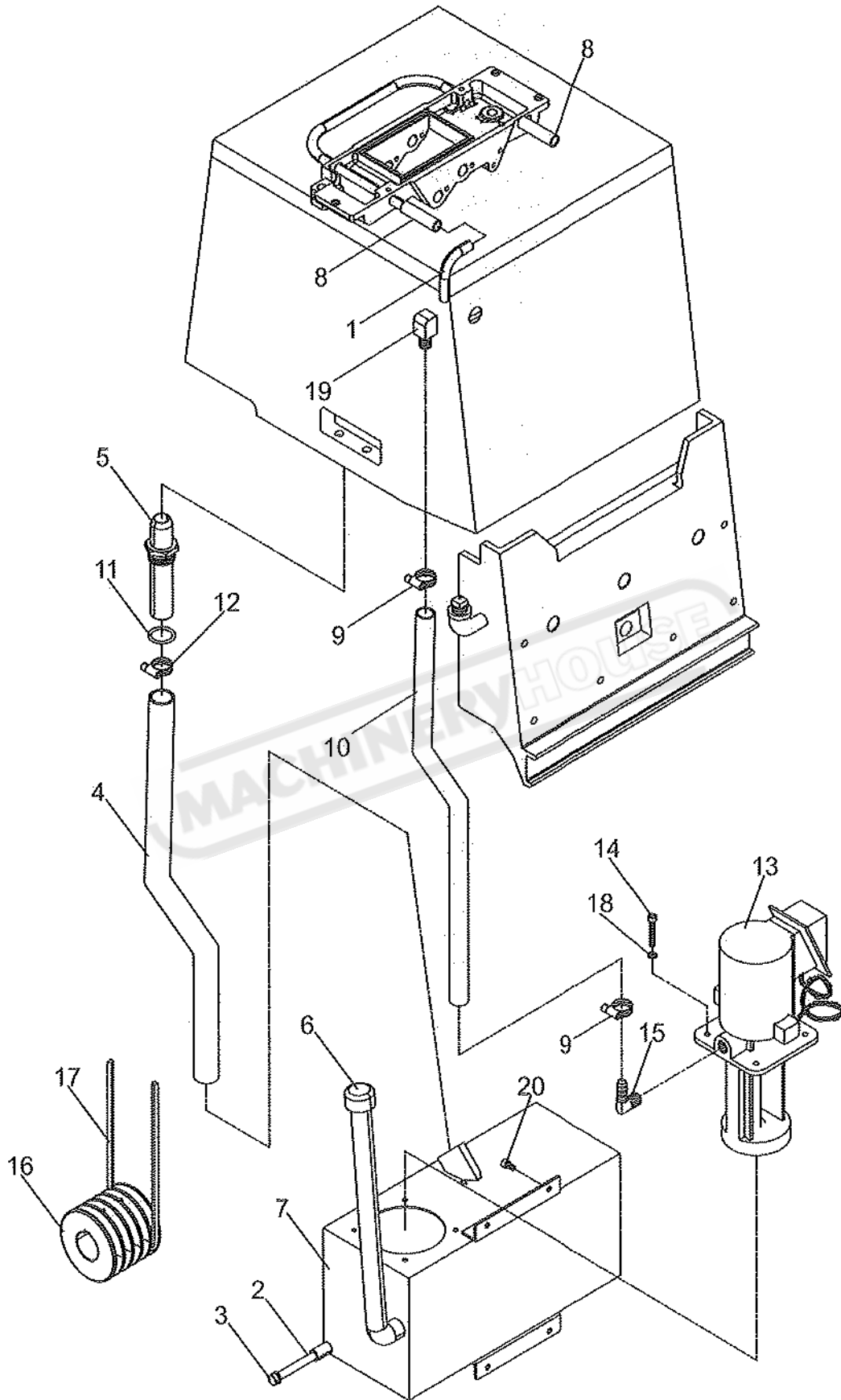
<u>NO.</u>	<u>PART NO.</u>	<u>DESCRIPTION</u>	<u>QUANTITY</u>
1.	C-1078	Cam Shaft	1
2.	C-1079-1	Shaft	1
3.	C-1080	Selector Housing Assembly	1
4.	A-1104	Socket Headless Set Screw (M6x20)	2
5.	C-1082	Drum Cam	1
6.	C-1083	Range Selector	1
7.	C-1084-1	Speed Selector	1
8.	C-1085	Shafts	2
9.	C-1086	Collars	2
10.	C-1087	Handles	2
11.	C-1089	Shift Levers	2
12.	C-1090	Shift Pads	2
13.	C-1091	Detents	2
14.	C-1092	Detents Bars	2
15.	R-1030	Washers	6
16.	C-2075	Plugs	3
17.	A-1202	Socket Head Cap Screw (M6x12)	6
18.	A-1203	Socket Head Cap Screw (M6x16)	4
19.	A-1606	Cross Recessed Head Screw (M5x6)	3
20.	A-8403	Spring	2
21.	A-7202	Key (4x4x15)	2
22.	A-7201	Key (4x4x10)	2
23.	A-7208	Key (5x5x30)	1
24.	A-3308	Circlip (S24)	1
25.	A-3310	Circlip (S28)	1
26.	A-3302	Circlip (S16)	2
27.	A-6007	O-Ring (P18)	4
28.	A-6004	O-Ring (P12)	2
29.	A-7207	Key (5x5x25)	1

### HEADSTOCK : CONTROLS



<u>NO.</u>	<u>PART NO.</u>	<u>DESCRIPTION</u>	<u>QUANTITY</u>
1.	C-1078	Cam Shaft	1
2.	C-1079	Shaft	1
3.	C-1080	Selector Housing Assembly	1
4.	C-1081	Plate Cam	1
5.	C-1082	Drum Cam	1
6.	C-1083	Range Selector	1
7.	C-1084	Speed Selector	1
8.	C-1085	Shafts	2
9.	C-1086	Collars	2
10.	C-1087	Handles	2
11.	C-1089	Shift Levers	2
12.	C-1090	Shift Pads	2
13.	C-1091	Detents	2
14.	C-1092	Detents Bars	2
15.	R-1030	Washers	5
16.	C-2075	Plugs	3
17.	A-1202	Socket Head Cap Screw (M6x12)	5
18.	A-1203	Socket Head Cap Screw (M6x16)	4
19.	A-1606	Cross Recessed Head Screw (M5x6)	3
20.	A-8403	Spring	2
21.	A-7202	Key (4x4x15)	4
22.	A-7201	Key (4x4x10)	2
23.	A-7208	Key (5x5x30)	1
24.	A-3308	Circlip (S24)	1
25.	A-3310	Circlip (S28)	1
26.	A-3302	Circlip (S16)	3
27.	A-6007	O-Ring (P18)	4
28.	A-6004	O-Ring (P12)	2
29.	A-7207	Key (5x5x25)	1
30.	NC-06	Speed Chart	1
31	NC-08	Arrow Plate	1

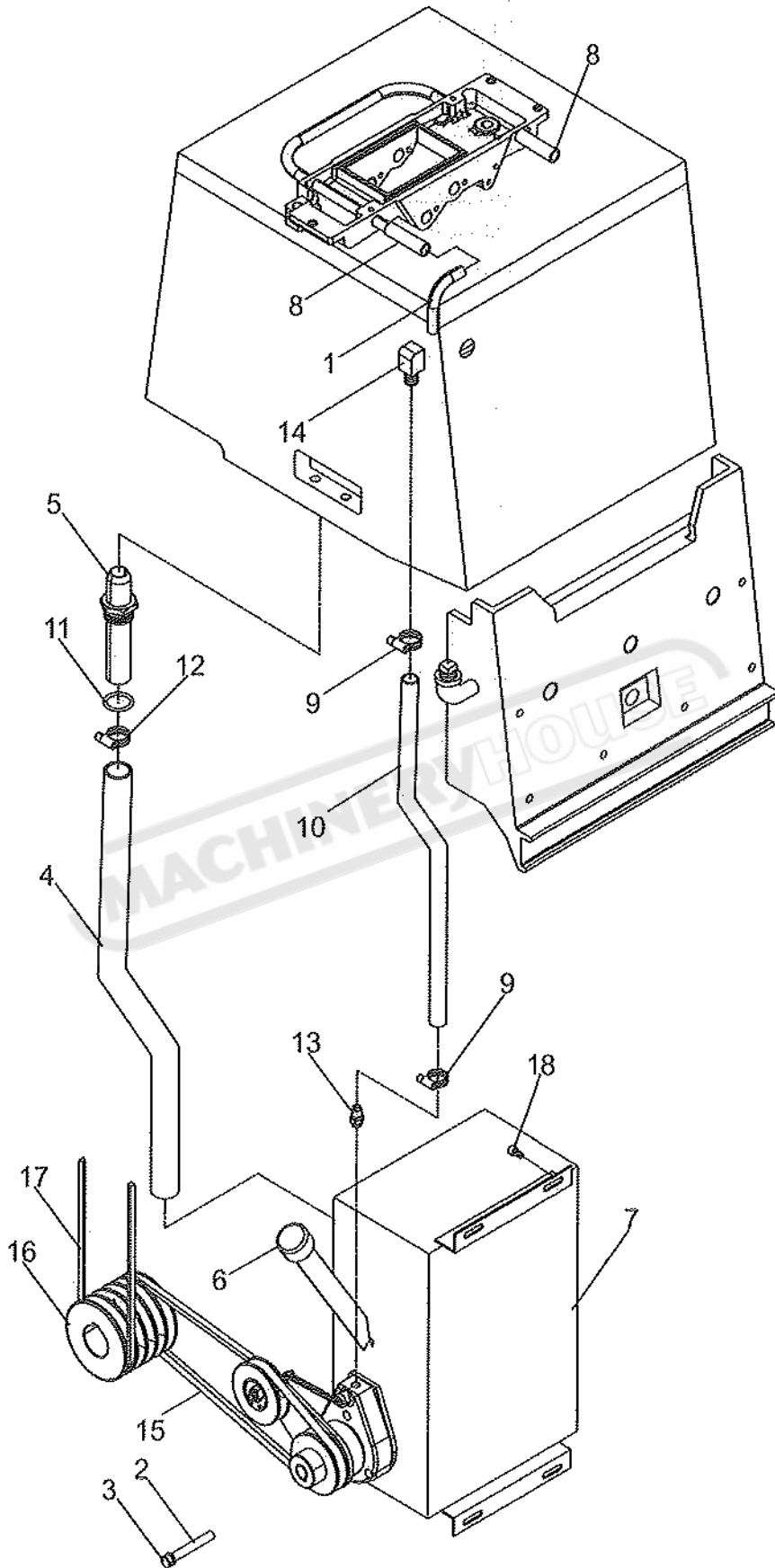
### HEADSTOCK : LUBRICATION (VARISPEED)



<u>NO.</u>	<u>PART NO.</u>	<u>DESCRIPTION</u>	<u>QUANTITY</u>
1.	C-1154	Connector	1
2.	A-4106	Drain Pipe	1
3.	A-1173	Plug	1
4.	A-4123	Return Hose	1
5.	C-1101	Adaptor	1
6.	C-1102-1	Dipstick Cap	1
7.	C-1105-1	Oil Tank	1
8.	A-4115	Hoses	2
9.	A-4111	Clamp	2
10.	A-4124	Inlet Hose	1
11.	A-6013	O-Ring (P25)	1
12.	A-4110	Clamp	1
13.	A-4102	Pump	1
14.	A-1206	Socket Head Cap Screw (M6x12)	4
15.	A-4101	Elbow	1
16.	C-7028-6	Motor Pulley	1
17.	A-0109	Vee Belt A-72"	4
18.	A-1901	Washer ( $\phi$ 6)	4
19.	A-0498	Elbow	1
20.	A-1202	Socket Head Cap Screw (M6x12)	4

MACHINERYHOUSE

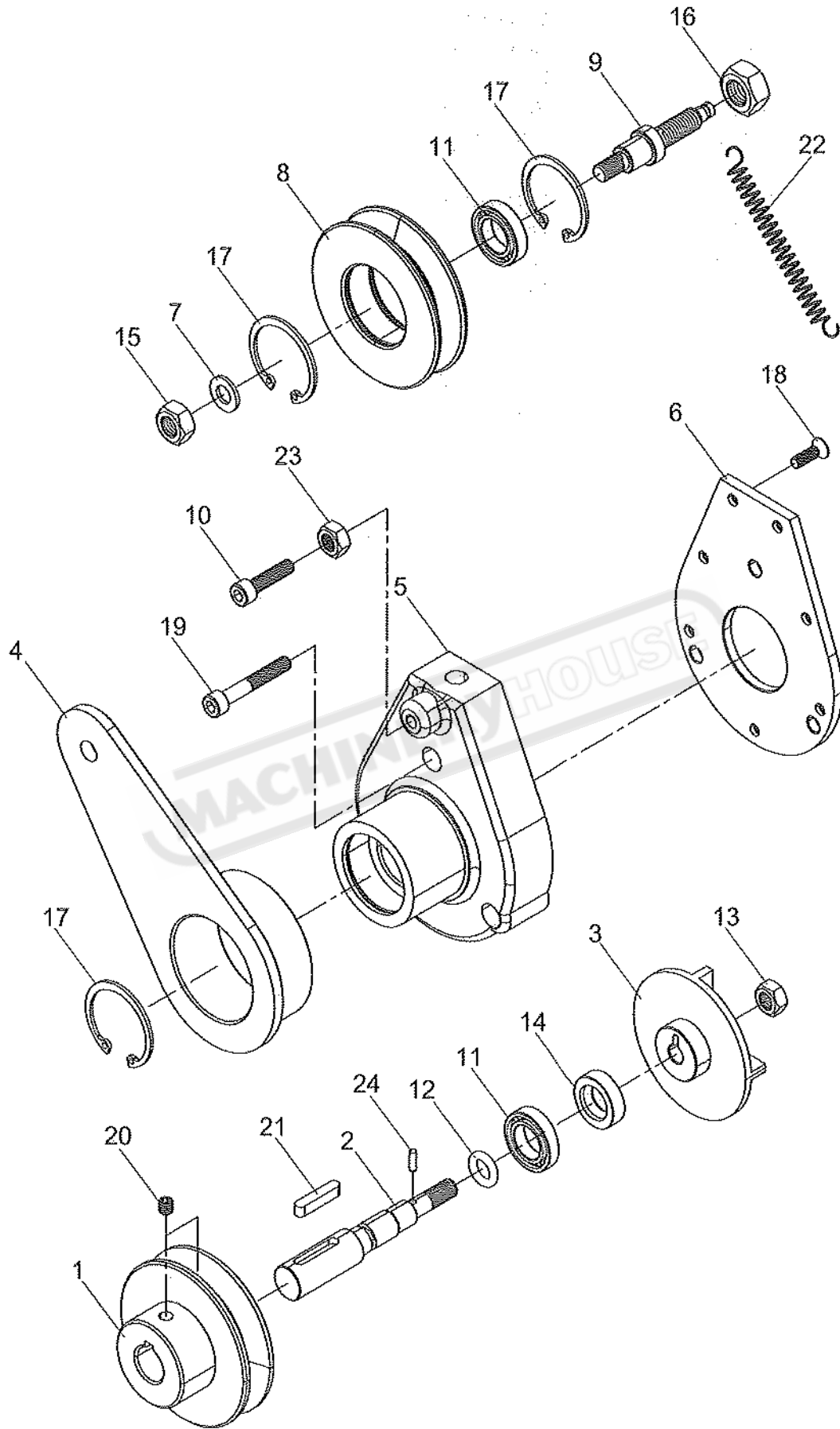
### HEADSTOCK : LUBRICATION





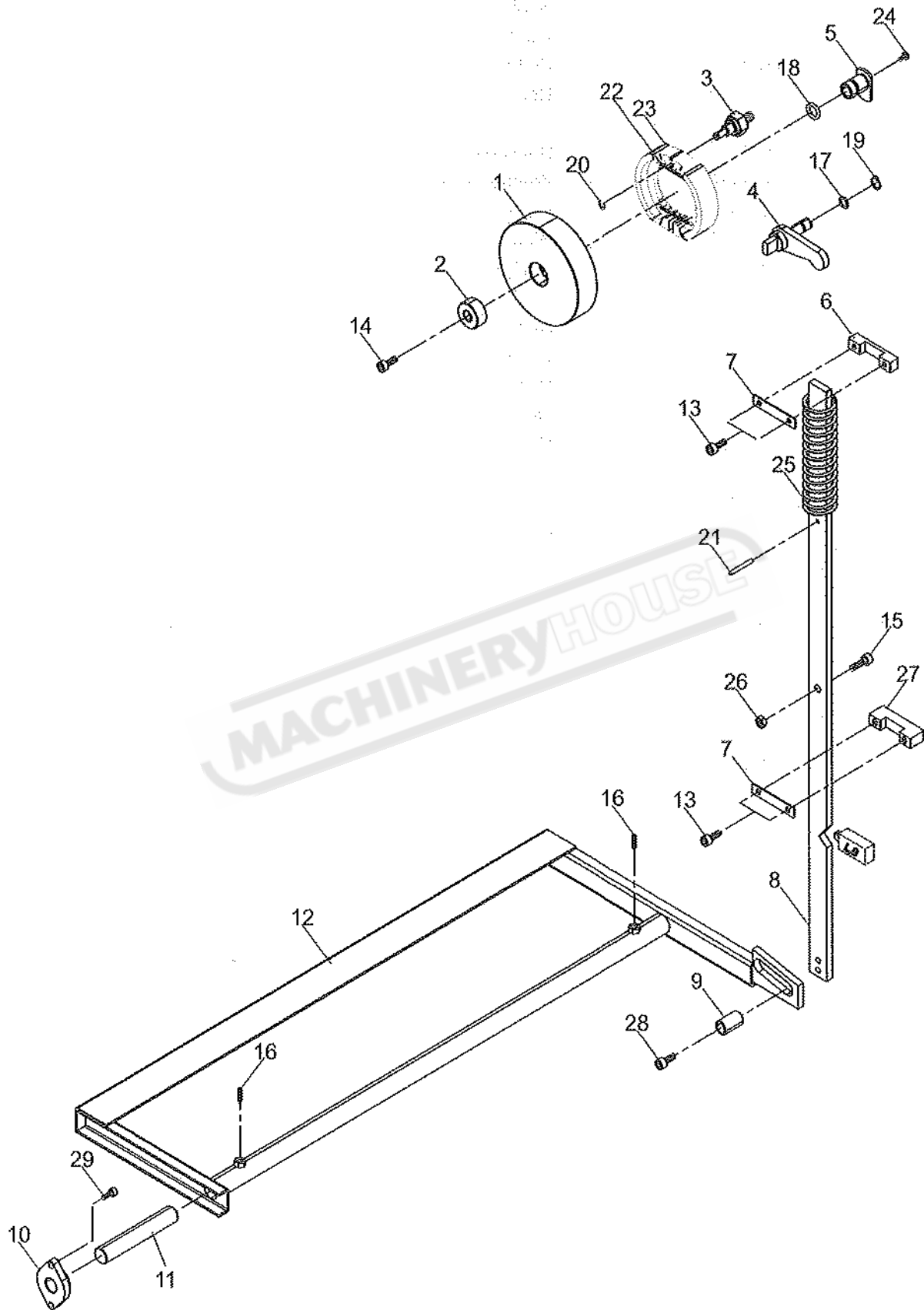
<u>NO.</u>	<u>PART NO.</u>	<u>DESCRIPTION</u>	<u>QUANTITY</u>
1.	C-1154	Connector	1
2.	A-4106	Drain Pipe	1
3.	A-1173	Plug	1
4.	A-4123	Return Hose	1
5.	C-1101	Adaptor	1
6.	C-1102	Dipstick Cap	1
7.	C-1105	Oil Tank	1
8.	A-4115	Hoses	2
9.	A-4111	Clamp	2
10.	A-4124	Inlet Hose	1
11.	A-6013	O-Ring (P25)	1
12.	A-4110	Clamp	1
13.	A-1180	Outlet	1
14.	A-0498	Elbow	1
15.	A-0124	Vee Belt (50HZ) A-34"	1
	A-0123	Vee Belt (60HZ) A-33"	1
16.	C-7028-6	Motor Pulley (50Hz)	1
	C-7028-3	Motor Pulley (60Hz)	1
17.	A-0109	Vee Belt (50Hz) A-72"	4
	A-0110	Vee Belt (60Hz) A-73"	4
18.	A-1202	Socket Head Cap Screw (M6x12)	4

**BRAKE : PUMP ASSY**



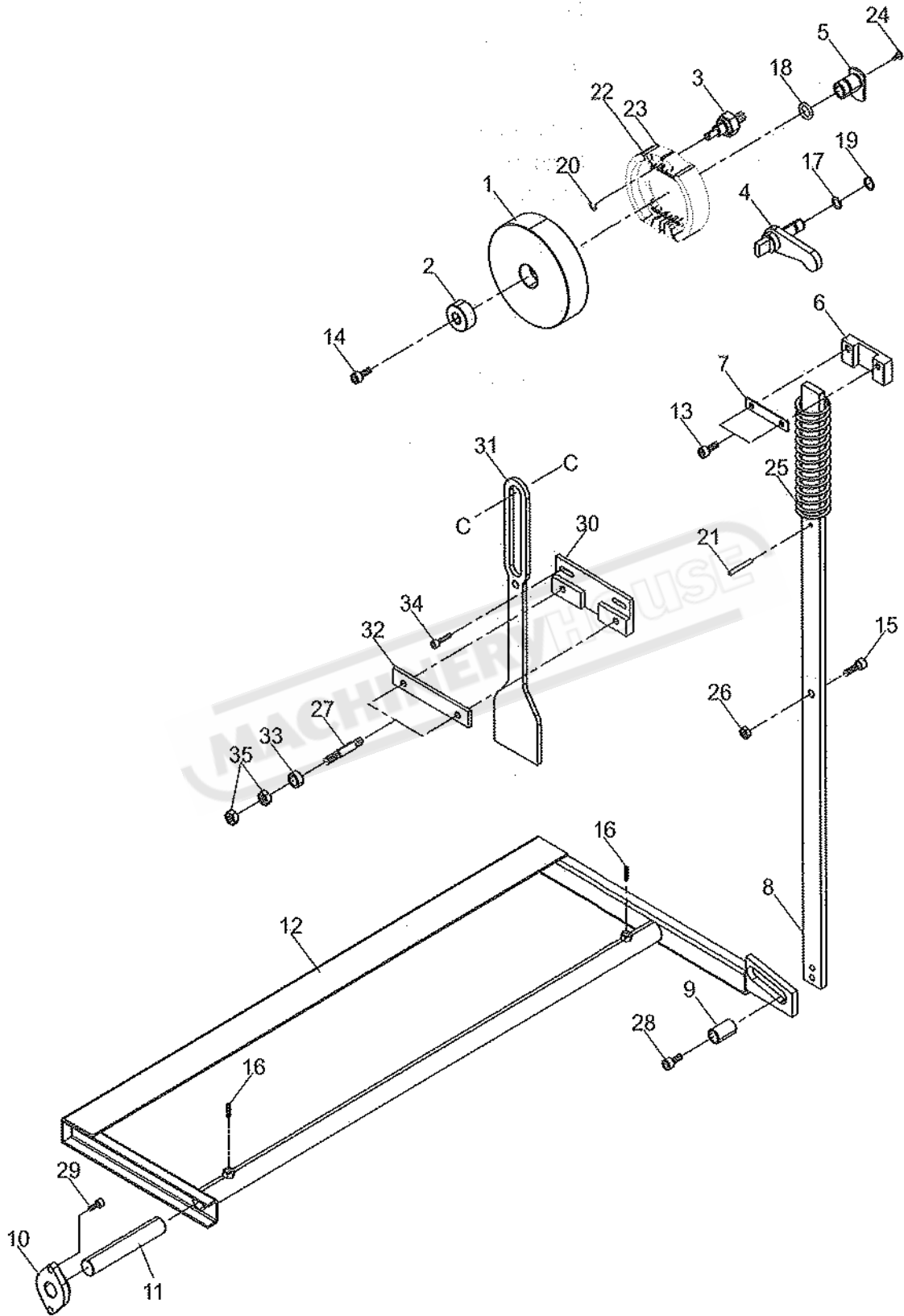
<u>NO.</u>	<u>PART NO.</u>	<u>DESCRIPTION</u>	<u>QUANTITY</u>
1.	C-1106	Pulley	1
2.	C-1107	Shaft	1
3.	C-1109	Impeller	1
4.	C-1110	Plate	1
5.	C-1111	Housing	1
6.	C-1112	Backplate	1
7.	A-1918	Washer (ø8)	1
8.	C-1114	Pulley	1
9.	C-1115	Shaft	1
10.	A-1517	Socket Head Cap Screw (M6x25L)	1
11.	A-2037	Bearing (#6301ZZ)	2
12.	A-6001	O-Ring	1
13.	A-1707	Nylon Nut (5/16")	1
14.	A-5013	Oil Seal (TC12x25x7)	1
15.	A-1701	Nut (M8)	1
16.	A-1702	Nut (M10)	1
17.	A-3201	Circlip (R37)	3
18.	A-1608	Cross Recessed Head Screw (M5x15L)	7
19.	A-1208	Socket Head Cap Screw (M6x40L)	3
20.	A-1101	Socket Headless Set Screw (M6x10L)	2
21.	A-7207	Key (5x5x25)	1
22.	A-8404	Spring	1
23.	A-1700	Nut (M6)	1
24.	A-4006	Pin (ø3x10)	1

**BRAKE : MECHANISM (NON-CLUTCH & VARISPEED )**



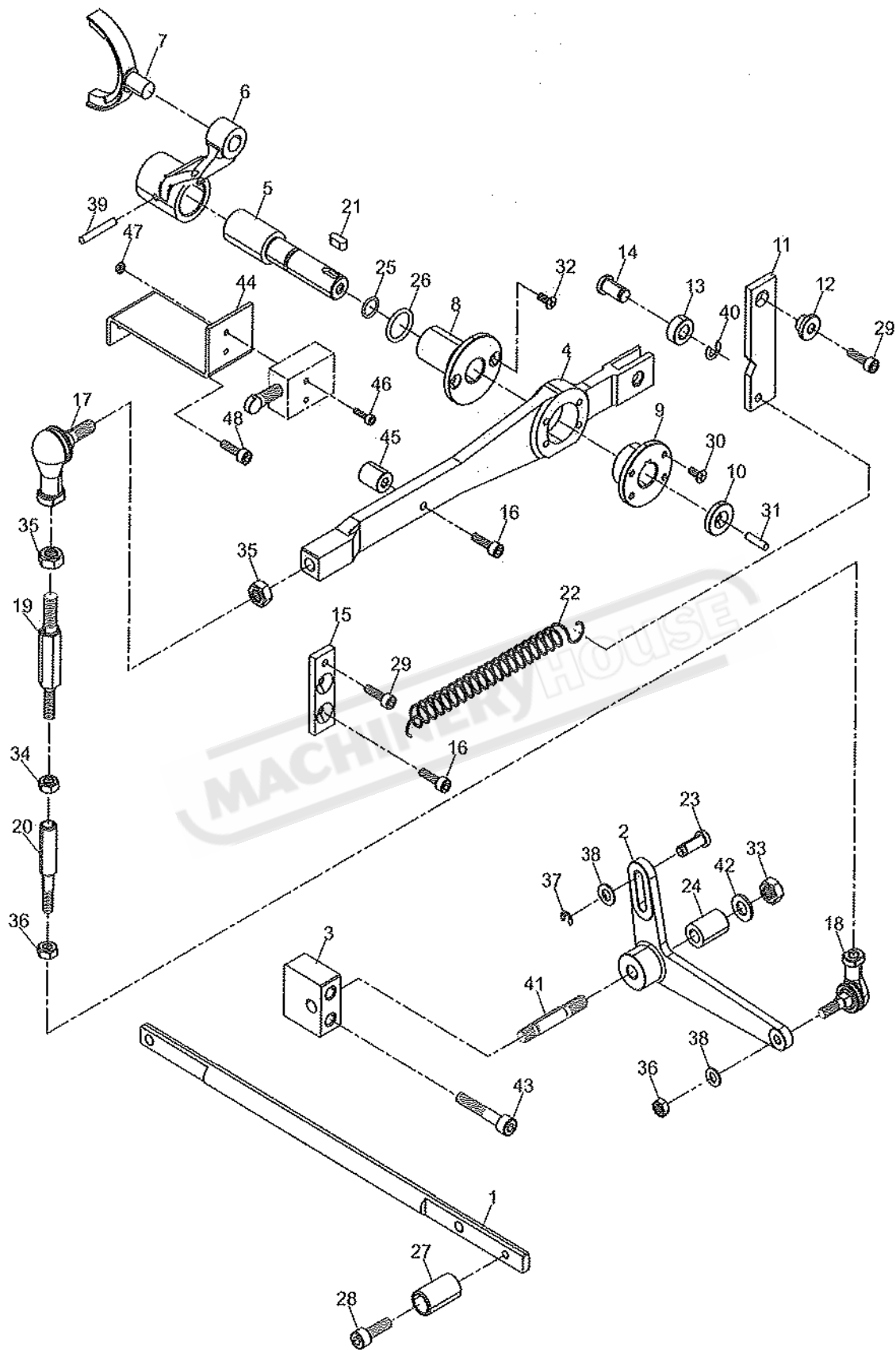
<u>NO.</u>	<u>PART NO.</u>	<u>DESCRIPTION</u>	<u>QUANTITY</u>
1.	C-1117-1	Drum	1
2.	C-1117-2	Collar	1
3.	C-1118	Stud	1
4.	C-1119	Catch Assembly	1
5.	C-1120	Bush	1
6.	C-1122	Guide Blocks	1
7.	C-1123	Strap Plate	2
8.	C-1124	Operation Bar	1
9.	C-1125	Pivot	1
10.	C-7009	Flanges	2
11.	C-7010	Connect Shafts	2
12.	C-7011	Pedal	1
13.	A-1205	Socket Head Cap Screw (M6x25)	4
14.	A-1213	Socket Head Cap Screw (M8x20)	1
15.	A-1219	Socket Head Cap Screw (M10x20)	1
16.	A-1106	Socket Headless Set Screw (M8x8)	2
17.	A-6003	O-Ring (P10A)	1
18.	A-6030	O-Ring (P16)	1
19.	A-3300	Circlip (S14)	1
20.	A-3100	Circlip (E6)	1
21.	A-4009	Pin ( $\phi$ 5x40)	1
22.	A-8516	Spring	2
23.	A-9801	Brake Shoes Assembly	1
24.	A-1509	Flat Head Cap Screw (M5x10)	1
25.	A-8423	Spring	1
26.	A-1702	Nut (M10)	1
27.	C-1122-2	Guide Blocks	1
28.	A-1215	Socket Head Cap Screw (M8x30)	1
29.	A-1203	Socket Head Cap Screw (M6x16)	4

### HEADSTOCK : MECHANISM (CLUTCH)



<u>NO.</u>	<u>PART NO.</u>	<u>DESCRIPTION</u>	<u>QUANTITY</u>
1.	C-1117-1	Drum	1
2.	C-1117-2	Collar	1
3.	C-1118	Stud	1
4.	C-1119	Catch Assembly	1
5.	C-1120	Bush	1
6.	C-1122	Guide Blocks	1
7.	C-1123	Strap Plate	1
8.	C-1124	Operation Bar	1
9.	C-1125	Pivot	1
10.	C-7009	Flanges	2
11.	C-7010	Connect Shafts	2
12.	C-7011	Pedal	1
13.	A-1205	Socket Head Cap Screw (M6x25)	2
14.	A-1213	Socket Head Cap Screw (M8x20)	1
15.	A-1219	Socket Head Cap Screw (M10x20)	1
16.	A-1106	Socket Headless Set Screw (M8x8)	2
17.	A-6003	O-Ring (P10A)	1
18.	A-6030	O-Ring (P16)	1
19.	A-3300	Circlip (S14)	1
20.	A-3100	Circlip (E6)	1
21.	A-4009	Pin ( $\phi$ 5x40)	1
22.	A-8516	Spring	2
23.	A-9801	Brake Shoes Assembly	1
24.	A-1509	Flat Head Cap Screw (M5x10)	1
25.	A-8423	Spring	1
26.	A-1702	Nut (M10)	1
27.	C-1246	Pivot	2
28.	A-1215	Socket Head Cap Screw (M8x30)	1
29.	A-1203	Socket Head Cap Screw (M6x16)	4
30.	C-1255	Guide Block	1
31.	C-1248	Operating Guider	1
32.	C-1256	Strap Plate	1
33.	C-1259	Bush	2
34.	A-1205	Socket Head Cap Screw (M6x25)	2
35.	A-1702	Nut (M10)	4

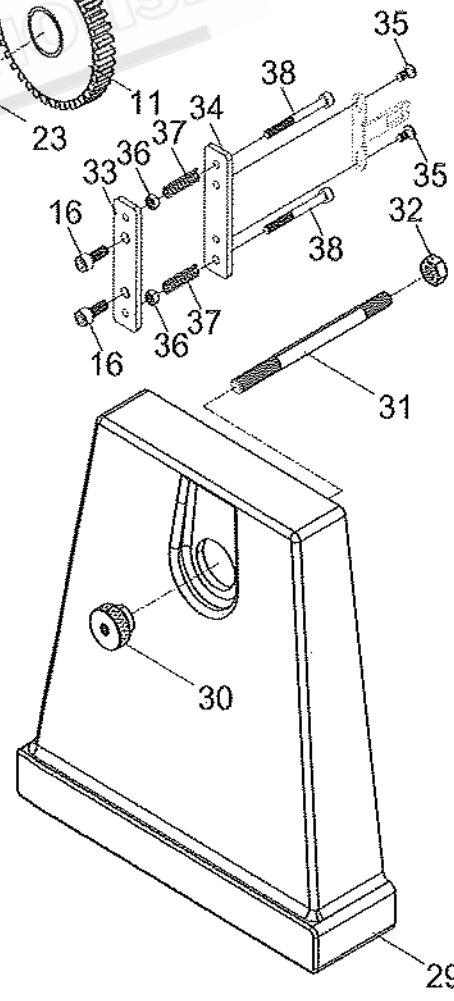
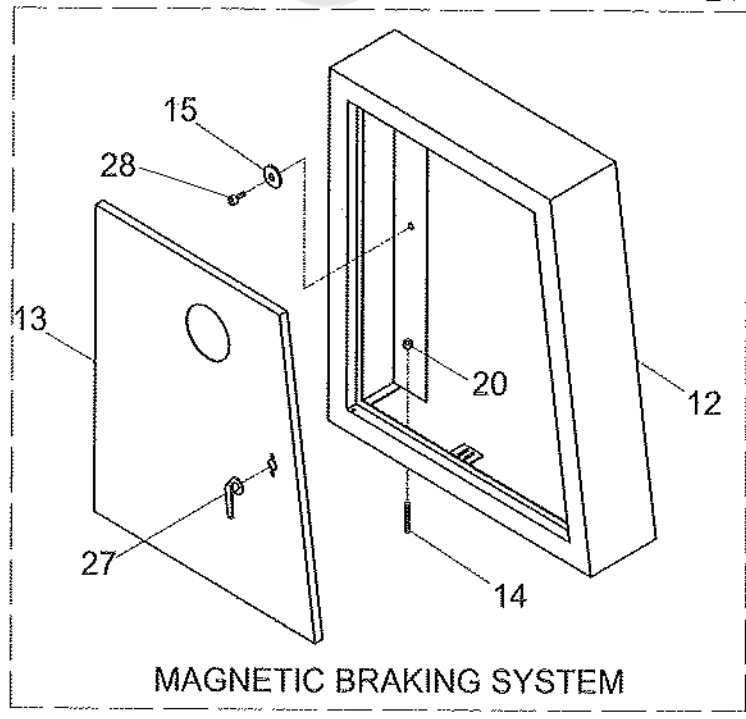
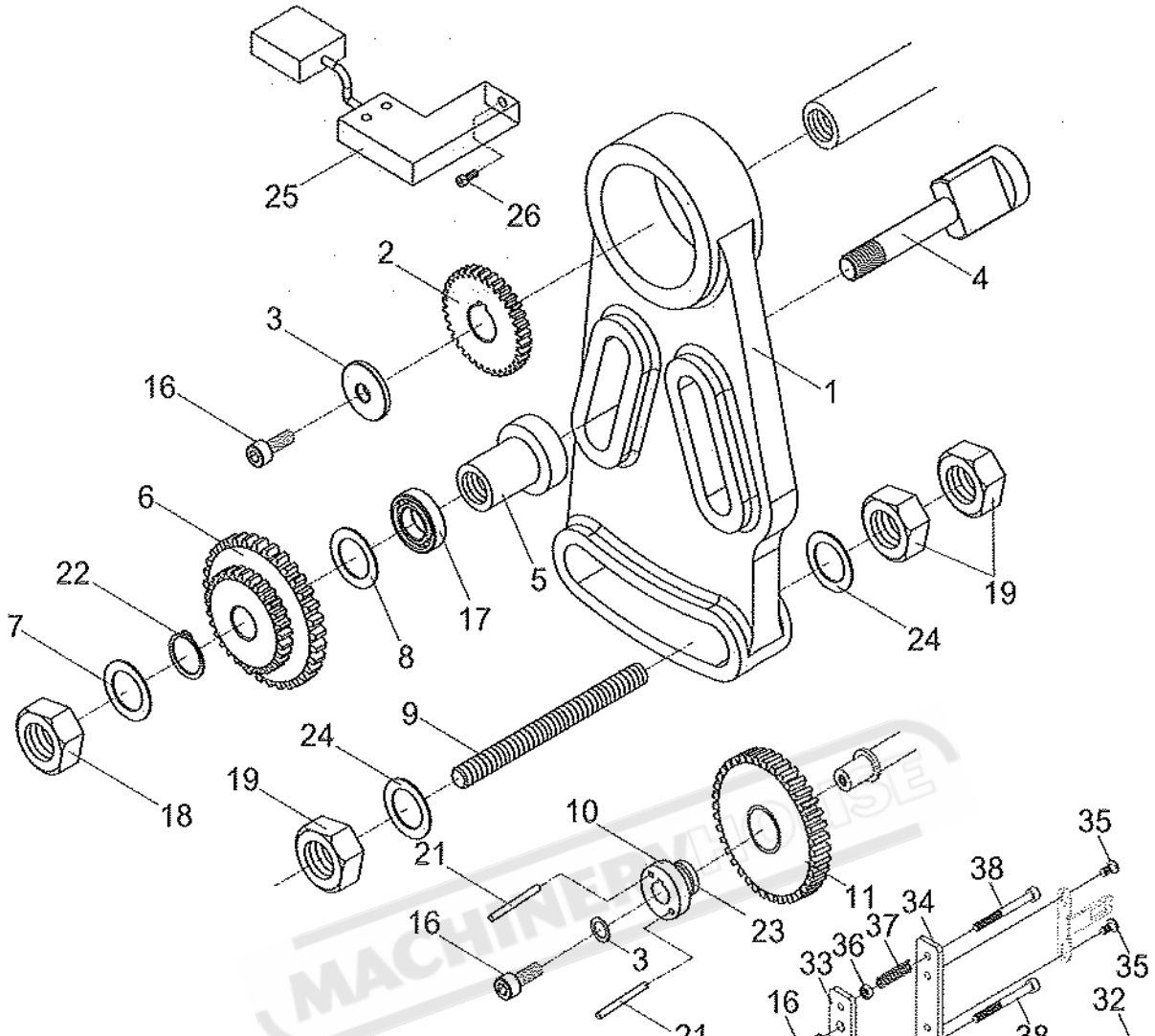
### CLUTCH LINKAGE





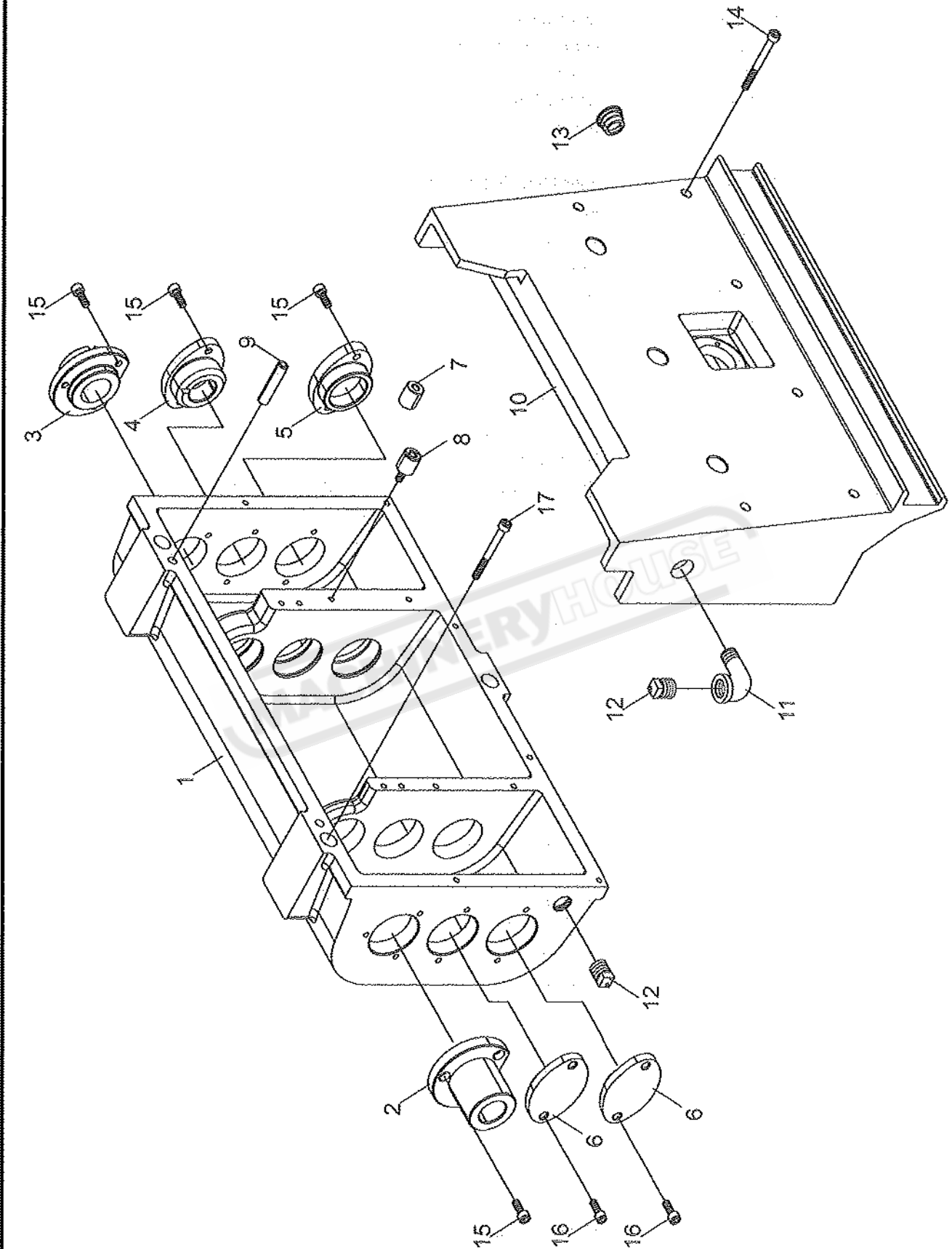
<u>NO.</u>	<u>PART NO.</u>	<u>DESCRIPTION</u>	<u>QUANTITY</u>	<u>NO.</u>	<u>PART NO.</u>	<u>DESCRIPTION</u>	<u>QUANTITY</u>
1.	C-1249	Operating Bar	1	41.	C-1246	Pivot	1
2.	C-1244	Lever	1	42.	A-1908	Washer ( $\phi$ 10)	1
3.	C-1242	Bracket	1	43.	A-1217	Socket Head Cap Screw (M8x45)	2
4.	C-1230	Operating Lever	1	44.	C-1273	Switch Plate	1
5.	C-1227	Shift Shaft	1	45.	R-4018	Collar	1
6.	C-1226	Shift Lever	1	46.	A-1622	Flat Head Driver Screw (M4x30)	2
7.	C-1228	Shift Fork	1	47.	A-1729	Nut (M4)	2
8.	C-1229	Sleeve	1	48.	A-1202	Socket Head Cap Screw	2
9.	C-1231	Bush	1				
10.	C-3015	Washer	1				
11.	C-1235	Pivot Plate	1				
12.	C-1236	Bush	1				
13.	C-1233	Roller	1				
14.	C-1234	Roller Pin	1				
15.	C-1238	Plate	1				
16.	A-1204	Socket Head Cap Screw (M6x20)	2				
17.	A-9901	Universal Jointer	1				
18.	A-9900	Universal Jointer	1				
19.	C-1240	Adjusting Rod	1				
20.	C-1241	Adjusting Rod	1				
21.	A-7213	Key (6x6x15)	1				
22.	C-1237	Spring	1				
23.	C-1247	Shaft	1				
24.	C-1245	Bush	1				
25.	A-6005	O-Ring (P14)	1				
26.	A-6010	O-Ring (P22A)	1				
27.	C-1125	Bush	1				
28.	A-1214	Socket Head Cap Screw (M8x25)	1				
29.	A-1203	Socket Head Cap Screw (M6x16)	2				
30.	A-1608	Flat Head Cap Screw (M5x16)	4				
31.	A-4005	Pin ( $\phi$ 5x20)	1				
32.	A-1607	Flat Head Cap Screw (M5x12)	2				
33.	A-1721	Nylon Nut (M10)	1				
34.	A-1725	Nut (M8-L)	1				
35.	A-1702	Nut (M10)	2				
36.	A-1701	Nut (M8)	2				
37.	A-3100	Circlip (E6)	1				
38.	A-1902	Washer ( $\phi$ 8)	2				
39.	A-4008	Pin ( $\phi$ 5x36)	2				
40.	A-3101	Circlip (E7)	2				

### SWING FRAME : END GEARS & COVER



<u>NO.</u>	<u>PART NO.</u>	<u>DESCRIPTION</u>	<u>QUANTITY</u>
1.	C-1126	Swing Frame	1
2.	C-1127	Gear (24T)(Inches)	1
	C-1147	Gear (28T)(Metric)	1
3.	C-1028	Collar	2
4.	C-1129	Gear Shaft	1
5.	C-1130	Gear Collar	1
6.	C-1131	Idler Gear (44/56T) (Inches)	1
	C-1149	Idler Gear (54/55T) (Metric)	1
7.	C-1132	Washer	1
8.	C-1133	Spacer	1
9.	M-1134	Stud	1
10.	C-1135	Bush	1
11.	C-1136	Gear (57T) (Inches)	1
	C-1148	Gear (64T) (Metric)	1
12.	C-1171	End Cover (OPTION)	1
13.	C-1172	Door (OPTION)	1
14.	A-1148	Socket Headless Set Screw (M8x30L) (OPTION)	2
15.	A-1801	Spring Washer (ø1/4" (OPTION)	7
16.	A-1203	Socket Head Cap Screw (M6x16L)	4
17.	A2026	Bearing (#6004)	2
18.	A-1703	Nut (M12)	1
19.	A-1720	Nut (M16)	3
20.	A-1701	Nut (M8) (OPTION)	2
21.	C-1145	Shear Pin (ø3x32)	2
22.	A-3203	Circlip (R42)	2
23.	A-3314	Circlip (S35)	1
24.	C-1128	Washer	2
25.	C-8039	Bracket for Sensor (VS)	1
26.	A-1202	Socket Head Cap Screw (M6x12L) (VS)	1
27.	A-9012	Handle (OPTION)	1
28.	A-1202	Socket Head Cap Screw (M6x12L)	7
29.	C-1140	End Cover	1
30.	C-1138	Knurl Nut	1
31.	T-8002	Stud	1
32.	A-1701	Nut (M8)	1
33.	C-8125	Bracket (CE)	1
34.	C-8124	Bracket (CE)	1
35.	A-1536	Cross Recessed Head Screw (M5x12L) (CE)	2
36.	A-1700	Nut (M6) (CE)	2
37.	A-8429	Spring (CE)	2
38.	A-1307	Socket Head Cap Screw (M5x70L) (CE)	2

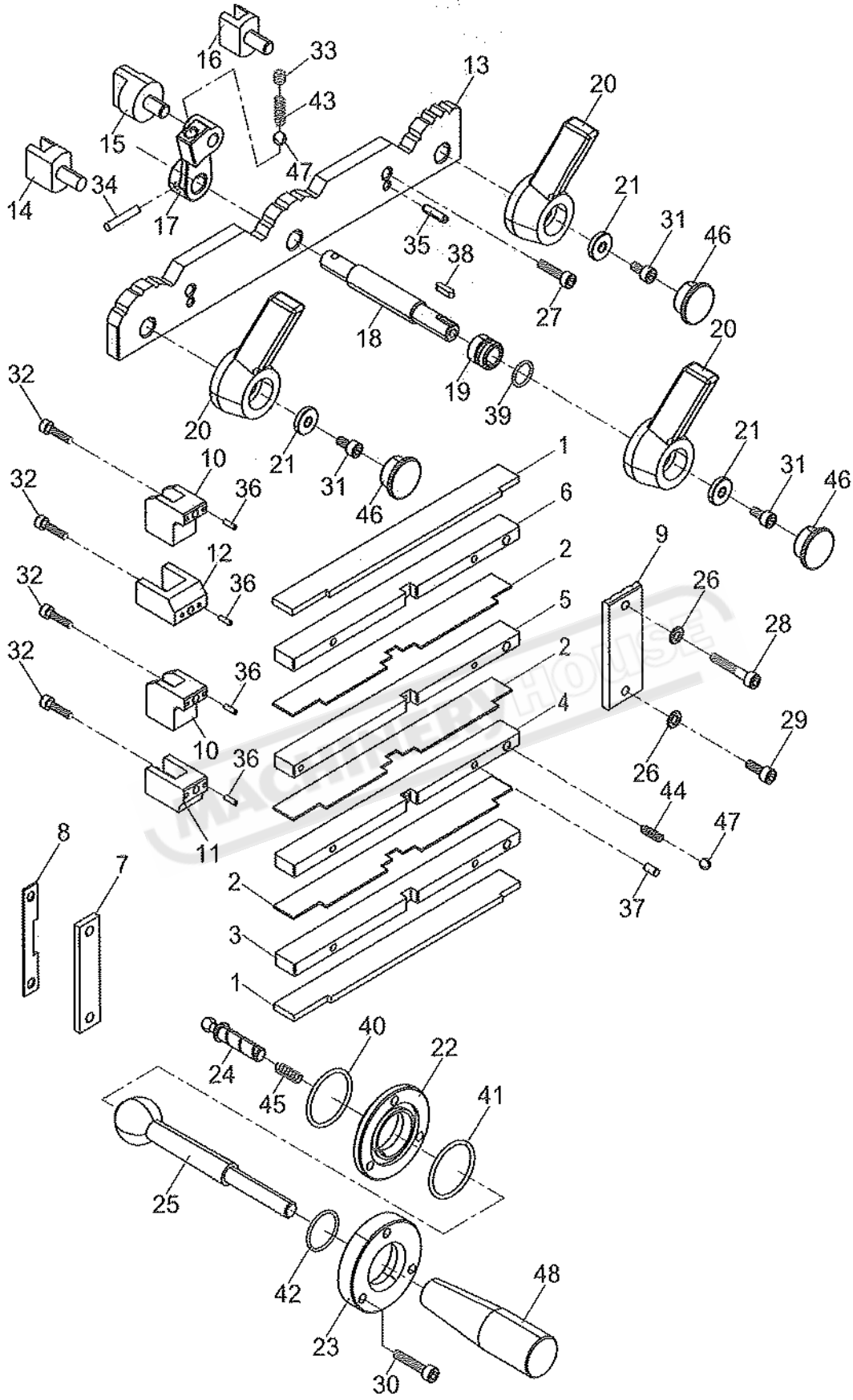
GEARBOX : CASTINGS



<u>NO.</u>	<u>PART NO.</u>	<u>DESCRIPTION</u>	<u>QUANTITY</u>
1.	C-2001	Feed Gearbox Casting	1
2.	C-2002	Flanged Bearing	1
3.	C-2003	Flanged Bearing	1
4.	C-2004	Flanged Bearing	1
5.	C-2005	Flanged Bearing	1
6.	C-2006	Cover	2
7.	C-2007	Top Spacer	2
8.	C-2008	Bottom Spacer	2
9.	C-2009	Dowel	2
10.	C-2010	Front Cover	1
11.	A-1127	Elbow (3/4"PT)	1
12.	A-1126	Plug (3/4"PT)	2
13.	A-9501	Oil Sight	1
14.	A-1236	Socket Head Cap Screw (M6x90)	6
15.	A-1203	Socket Head Cap Screw (M6x16)	10
16.	A-1204	Socket Head Cap Screw (M6x20)	4
17.	A-1290	Socket Head Cap Screw (M10x60)	3

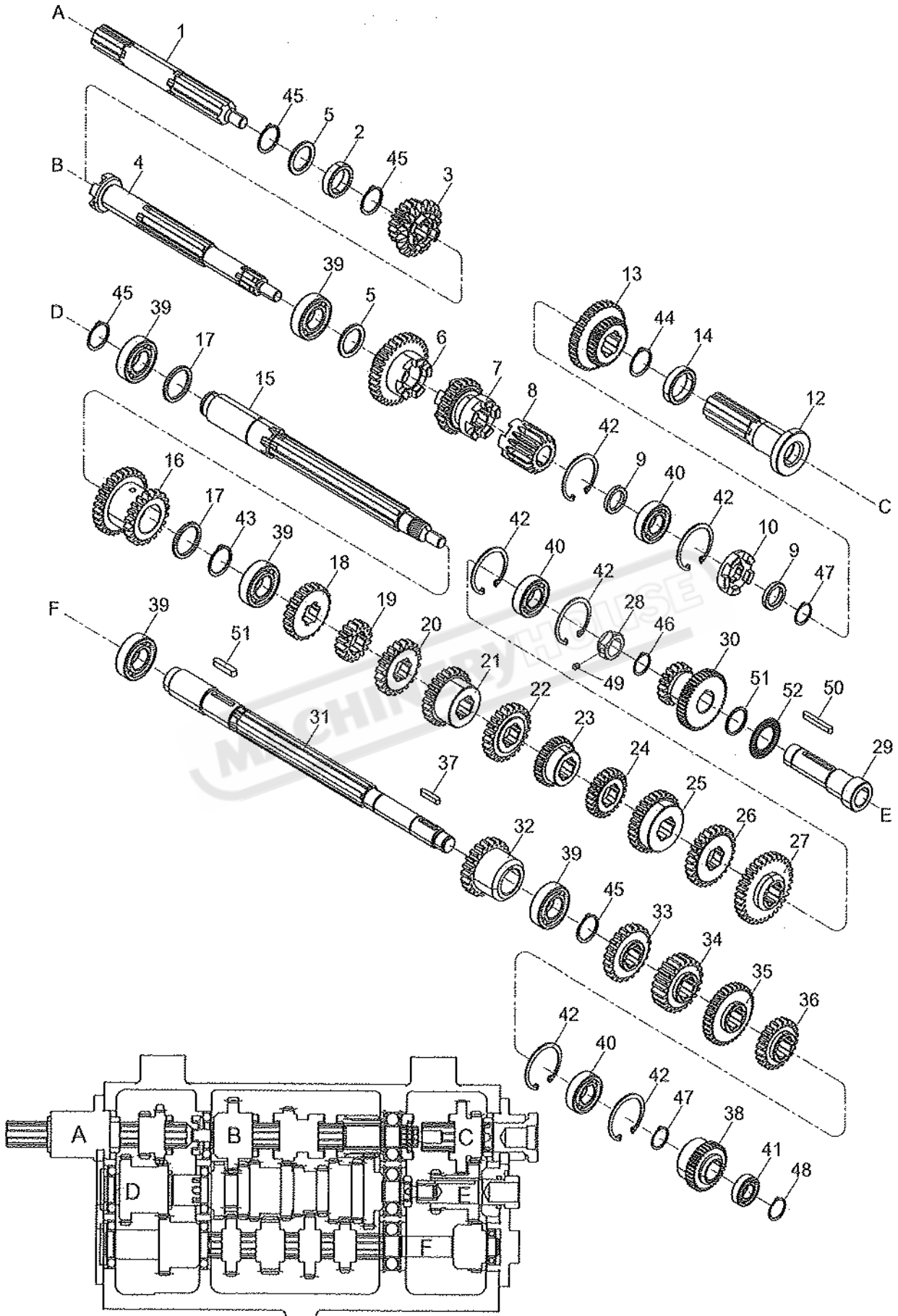
MACHINERYHOUSE

### GEARBOX : CONTROLS



<u>NO.</u>	<u>PART NO.</u>	<u>DESCRIPTION</u>	<u>QUANTITY</u>	<u>NO.</u>	<u>PART NO.</u>	<u>DESCRIPTION</u>	<u>QUANTITY</u>
1.	C-2013	Top & Bottom Plate	2	41.	A-6017	O-Ring (P36)	1
2.	C-2014	Dividing Plate	3	42.	A-6015	O-Ring (P29)	1
3.	C-2015-1	Guide Plate	1	43.	A-8405	Spring	3
4.	C-2015-2	Guide Plate	1	44.	A-8406	Spring	4
5.	C-2015-3	Guide Plate	1	45.	A-8407	Spring	1
6.	C-2015-4	Guide Plate	1	46.	C-2075	Plug	3
7.	C-2016	Bar Setter	1	47.	A-9202	Ball ( $\phi$ 1/4")	7
8.	C-2017	Spacer	2	48.	A-9107	Handle	1
9.	C-2018	Detent Plate	1				
10.	C-2019	Fork	2				
11.	C-2020	Fork	1				
12.	C-2021	Fork	1				
13.	C-2022	Select Bar	1				
14.	C-2023	Select Fork (Left)	1				
15.	C-2024	Select Fork (Mid.)	1				
16.	C-2025	Select Fork (Right)	1				
17.	C-2026	Select Lever	3				
18.	C-2028	Handle Shaft	3				
19.	C-2029	Bush	3				
20.	C-1087	Handle	3				
21.	R-1030	Washer	3				
22.	C-2032	Seating	1				
23.	C-2033	Cover	1				
24.	C-2034	Selector	1				
25.	C-2035	Selector Lever	1				
26.	A-1801	Washer (1/4")	2				
27.	A-1205	Socket Head Cap Screw (M6x25)	2				
28.	A-1207	Socket Head Cap Screw (M6x35)	2				
29.	A-1203	Socket Head Cap Screw (M6x15)	2				
30.	A-1206	Socket Head Cap Screw (M6x30)	3				
31.	A-1202	Socket Head Cap Screw (M6x12)	3				
32.	A-1292	Socket Head Cap Screw (M5x20)	4				
33.	A-1106	Socket Headless Set Screw	3				
34.	A-4203	Pin	3				
35.	A-4005	Pin ( $\phi$ 5x20)	2				
36.	A-4000	Pin ( $\phi$ 3x10)	8				
37.	A-4004	Pin ( $\phi$ 5x10)	8				
38.	A-7202	Key (4x4x15)	3				
39.	A-6006	O-Ring (P15)	3				
40.	A-6018	O-Ring (P38)	1				

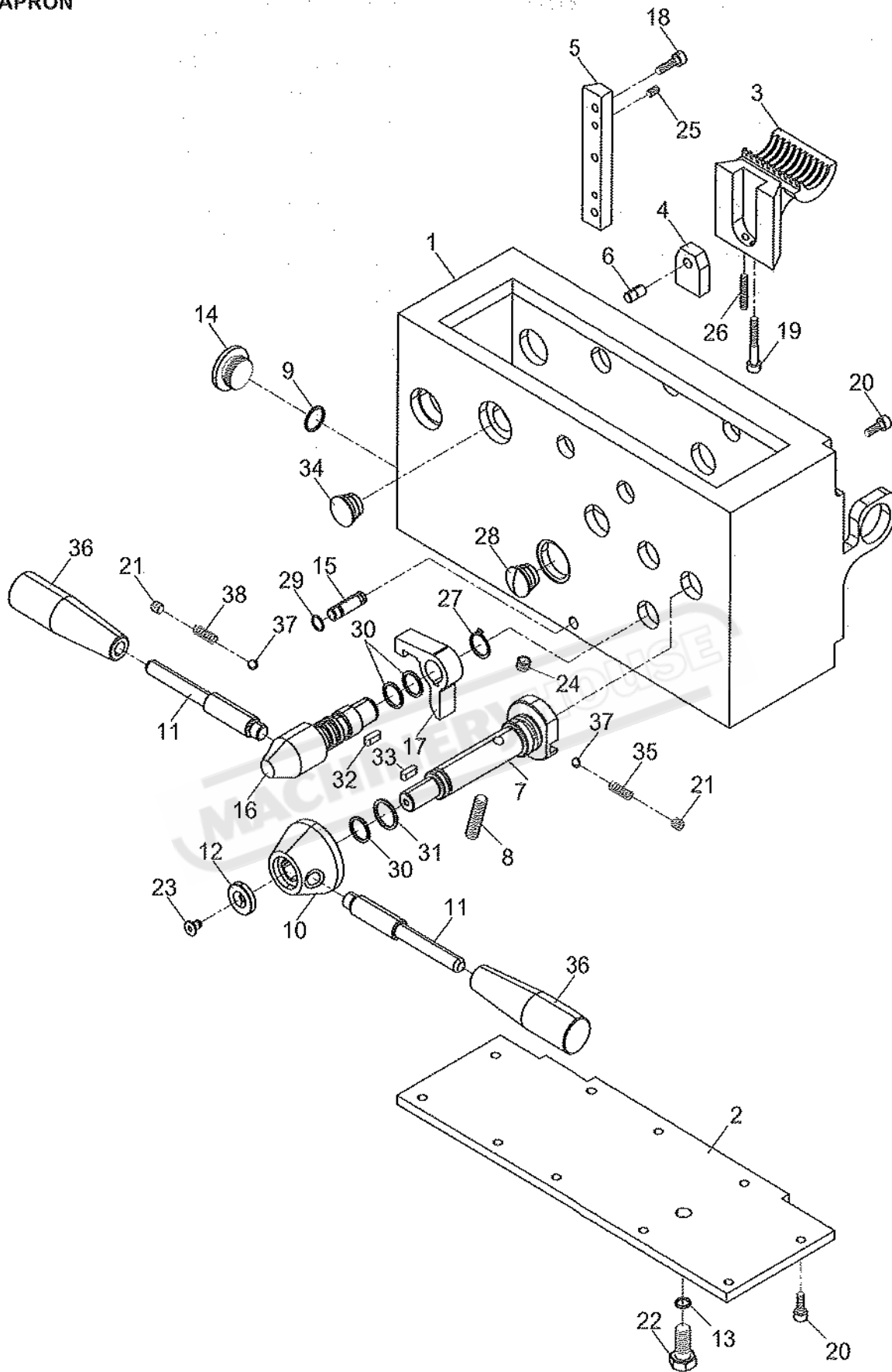
GEARBOX : GEARS





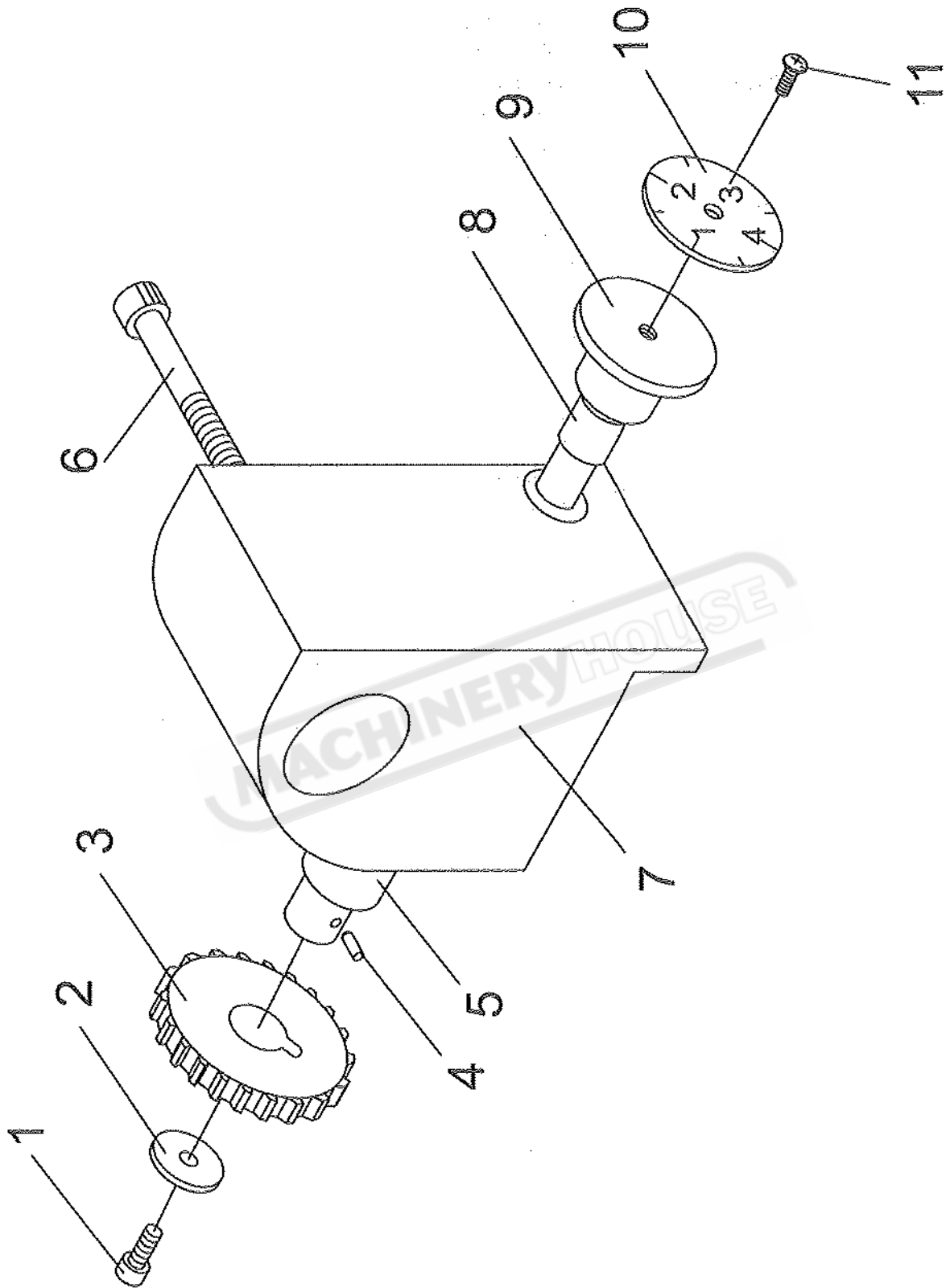
<u>NO.</u>	<u>PART NO.</u>	<u>DESCRIPTION</u>	<u>QUANTITY</u>	<u>NO.</u>	<u>PART NO.</u>	<u>DESCRIPTION</u>	<u>QUANTITY</u>
1.	C-2037	Shaft (A)	1	41.	A-2003	Bearing (16003)	1
2.	C-2038	Collar	1	42.	A-3204	Circlip (R47)	6
3.	C-2039	Gear (19T/19T)	1	43.	A-3312	Circlip (S30)	1
4.	C-2040	Shaft (B)	1	44.	A-3310	Circlip (S28)	1
5.	C-2041	Collar	2	45.	A-3309	Circlip (S25)	4
6.	C-2042	Gear (32T)	1	46.	A-3307	Circlip (S22)	1
7.	C-2043	Gear (23T)	1	47.	A-3306	Circlip (S20)	2
8.	C-2044	Gear (16T)	1	48.	A-3303	Circlip (S17)	1
9.	C-2045	Spacer	2	49.	A-1100	Socket Headless Set Screw (M6x6L)	1
10.	C-2046	Clutch	1	50.	A-7210	Key (5x5x40)	1
11.	A-7215	Key (6x6x30)	1	51.	A-6013	O-Ring (P25)	1
12.	C-2048	Shaft (C)	1	52.	A-2055-1	Bearing (NTB2542)	1
13.	C-2049	Gear (35T/35T)	1				
14.	C-2050	Collar	1				
15.	C-2051	Shaft (D)	1				
16.	C-2052	Gear (30T/20T)	1				
17.	C-2053	Collar	2				
18.	C-2054	Gear (22T)	1				
19.	C-2055	Gear (16T)	1				
20.	C-2056	Gear (20T)	1				
21.	C-2057	Gear (24T)	1				
22.	C-2058	Gear (23T)	1				
23.	C-2059	Gear (27T)	1				
24.	C-2060	Gear (24T)	1				
25.	C-2061	Gear (28T)	1				
26.	C-2062	Gear (26T)	1				
27.	C-2063	Gear (32T)	1				
28.	C-2064	Nut	1				
29.	C-2065	Shaft (E)	1				
30.	C-2066	Gear (18T/45T)	1				
31.	C-2067	Shaft (F)	1				
32.	C-2068	Gear (22T)	1				
33.	C-2069	Gear (22T)	1				
34.	C-2070	Gear (22T)	1				
35.	C-2071	Gear (33T)	1				
36.	C-2072	Gear (22T)	1				
37.	A-7207	Key (5x5x25)	1				
38.	C-2074	Gear (36T)	1				
39.	A-2004	Bearing (16005)	5				
40.	A-2034	Bearing (6204)	3				

APRON



<u>NO.</u>	<u>PART NO.</u>	<u>DESCRIPTION</u>	<u>QUANTITY</u>
1.	C-3301-1	Apron Casting (R.H.)	1
	C-3301-2	Apron Casting (L.H.)	1
2.	C-3002-1	Bottom Plate (R.H.)	1
	C-3002-2	Bottom Plate (L.H.)	1
3.	C-3303-1	Half Nut (Metric)	1
	C-3303-2	Half Nut (Inch)	1
4.	C-3004	Guide Plate	1
5.	C-3005	Gib	1
6.	C-3008	Stud	1
7.	C-3010-1	Camshaft (R.H.)	1
	C-3010-2	Camshaft (L.H.)	1
8.	A-1132	Socket Headless Set Screw (M10x40)	1
9.	A-6008	O-Ring (P20)	1
10.	C-3013	Handle Boss	1
11.	C-5026-1	Handle	2
12.	C-3015	Washer	1
13.	A-6004	O-Ring (P12)	1
14.	C-3017	Plug	1
15.	C-3018	Pin	1
16.	C-3019	Lever Assembly	1
17.	C-3020	Latch	1
18.	A-1204	Socket Head Cap Screw (M6x20)	3
19.	A-1208	Socket Head Cap Screw (M6x40)	1
20.	A-1203	Socket Head Cap Screw (M6x16)	11
21.	A-1106	Socket Headless Set Screw (M8x8)	2
22.	A-1426	Hexagon Bolt (M12x16)	1
23.	A-1610	Socket Flat Head Screw (M6x12)	1
24.	A-1166	Socket Headless Set Screw (M10x10)	1
25.	A-1101	Socket Headless Set Screw (M6x8)	2
26.	A-1105	Socket Headless Set Screw (M6x30)	1
27.	A-3304	Circlip (S18)	1
28.	A-9501	Oil Sight	1
29.	A-6000	O-Ring (P7)	1
30.	A-6007	O-Ring (P18)	3
31.	A-6012	O-Ring (P24)	1
32.	A-7205	Key (5x5x15)	1
33.	A-7228	Key (4x4x20)	1
34.	A-4505	Plug	1
35.	A-8405	Spring	1
36.	A-9107	Handle	2
37.	A-9202	Ball ( $\phi$ 1/4')	2
38.	A-8406	Spring	1

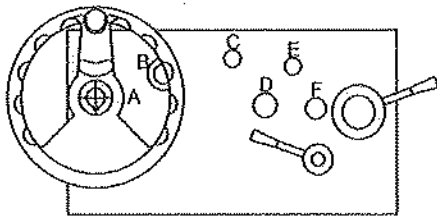
THREADING DIALS



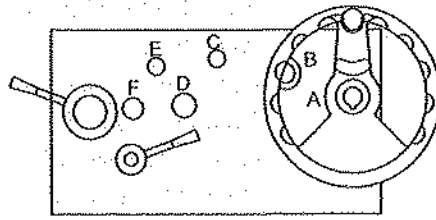
<u>NO.</u>	<u>PART NO.</u>	<u>DESCRIPTION</u>	<u>QUANTITY</u>
1.	A-1231	Socket Head Cap Screw (M6x10)	1
2.	A-1901	Washer ( $\phi$ 6)	1
3.	C-3076	Gear (16T) (Imperial)	1
	C-3080	Gear (14T) (Metric)	1
	C-3081	Gear (13T) (Metric)	1
	C-3082	Gear (18T) (Metric)	1
	C-3083	Gear (20T) (Metric)	1
	C-3084	Gear (22T) (Metric)	1
4.	A-4018	Pin ( $\phi$ 3x15)	1
5	T-8020	Bush	1
6.	A-1242	Socket Head Cap Screw (M8x60)	1
7.	T-8017-3	Guard	1
8.	A-2154	Bush	1
9.	T-8019	Stem	1
10.	NC-26	Index Plate (Imperial)	1
	NC-39	Index Plate (Metric)	1
11.	A-1526	Cross Recessed Head Screw (M4x6)	1

**MACHINERYHOUSE**

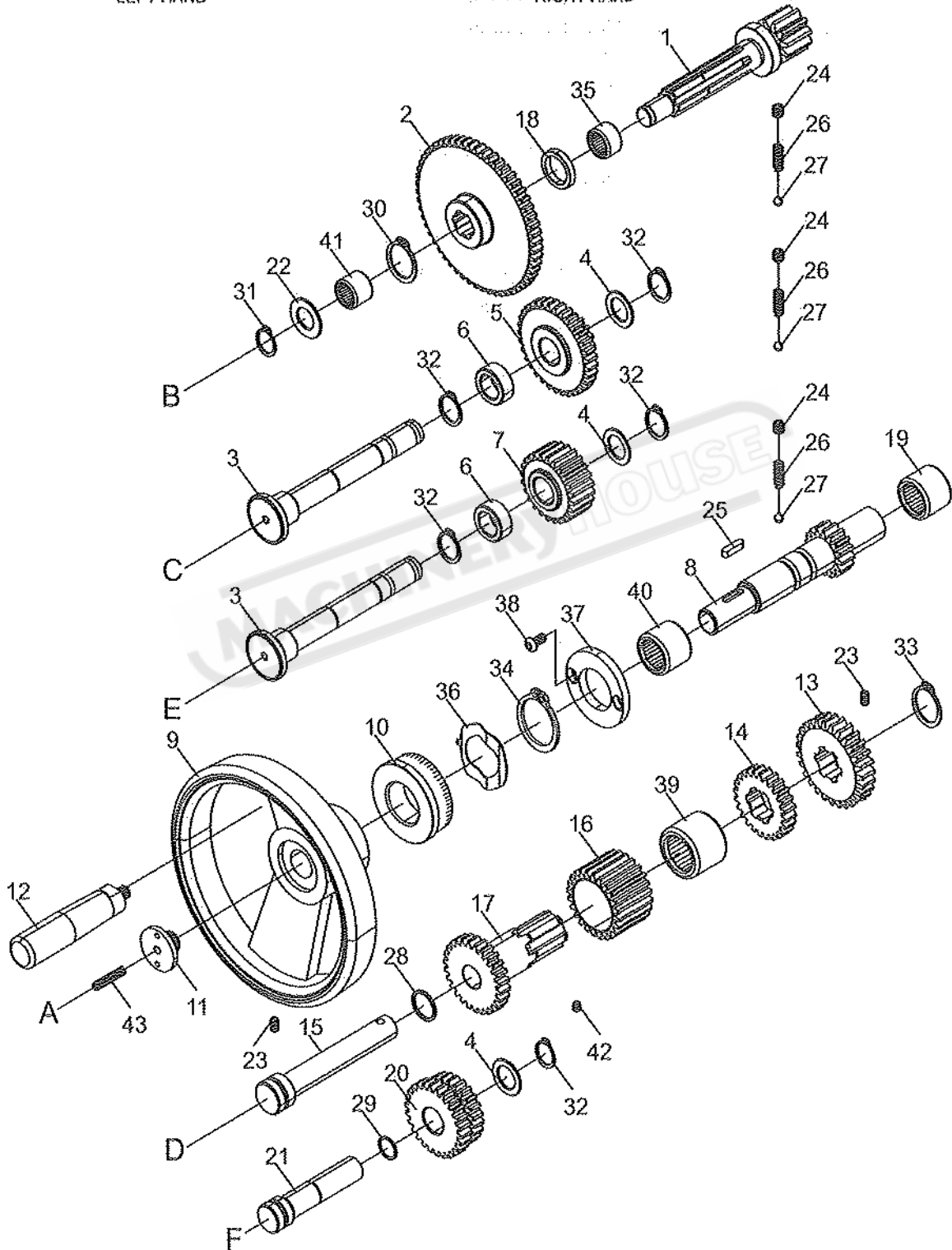
### APRON CONTROLS



LEFT HAND

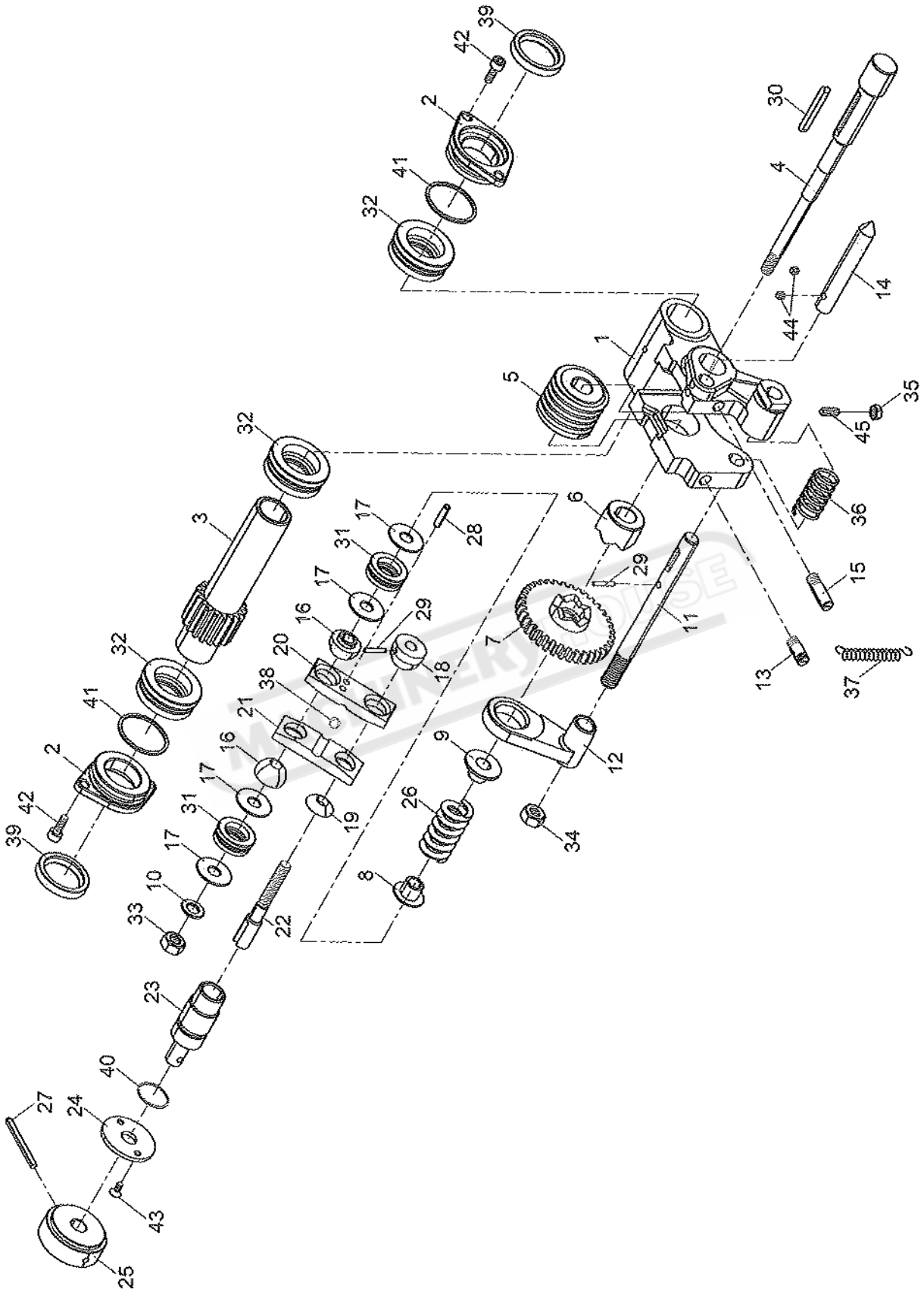


RIGHT HAND



<u>NO.</u>	<u>PART NO.</u>	<u>DESCRIPTION</u>	<u>QUANTITY</u>	<u>NO.</u>	<u>PART NO.</u>	<u>DESCRIPTION</u>	<u>QUANTITY</u>
1.	C-3021	Rack Pinion	1	41.	A-2066	Bearing (BA105)	1
2.	C-3022	Gear (56T)	1	42.	A-1100	Socket Headless Set Screw (M6x6)	1
3.	C-3023	Shaft (C.E.)	2	43.	A-1105	Socket Headless Set Screw (M6x30)	1
4.	C-3024	Washer	3				
5.	C-3025	Gear (15/33T)	1				
6.	C-3026	Collar	2				
7.	C-3028	Gear (24T)	1				
8.	C-3029	Shaft (A)	1				
9.	T-6008	Handwheel	1				
10.	C-3093	Dial (Metric)	1				
	C-3093-1	Dial (Inches)	1				
11.	C-3032	Plug	1				
12.	C-3034	Handle	1				
13.	C-3035	Gear (27T)	1				
14.	C-3036	Gear (24T)	1				
15.	C-3037	Shaft (D)	1				
16.	C-3038	Pinion Gear	1				
17.	C-3039	Pinion Shaft	1				
18.	C-3021-1	Washer	1				
19.	A-2068	Bearing (NA6905)	1				
20.	C-3042	Gear (24T/26T)	1				
21.	C-3043	Shaft (F)	1				
22.	C-3012	Washer	1				
23.	A-1101	Socket Headless Set Screw (M6x10)	2				
24.	A-1106	Socket Headless Set Screw (M8x8)	3				
25.	A-7206	Key (5x5x20)	1				
26.	A-8405	Spring	3				
27.	A-9202	Ball ( $\phi$ 1/4")	3				
28.	A-6009	O-Ring (P21)	1				
29.	A-6007	O-Ring (P18)	1				
30.	A-3307	Circlip (S22)	1				
31.	A-3302	Circlip (S16)	1				
32.	A-3304	Circlip (S18)	5				
33.	A-3310	Circlip (S28)	1				
34.	A-3313	Circlip (S32)	1				
35.	A-2127	Bearing (RNA6922)	1				
36.	A-3106	Wave Washer (BW6204)	1				
37.	C-3094	Collar	1				
38.	A-1510	Socket Round Head Cap Screw (M6x12)	2				
39.	A-2129	Needle Bearing (TAF304030)	1				
40.	A-2050	Bearing (RNA4905)	1				

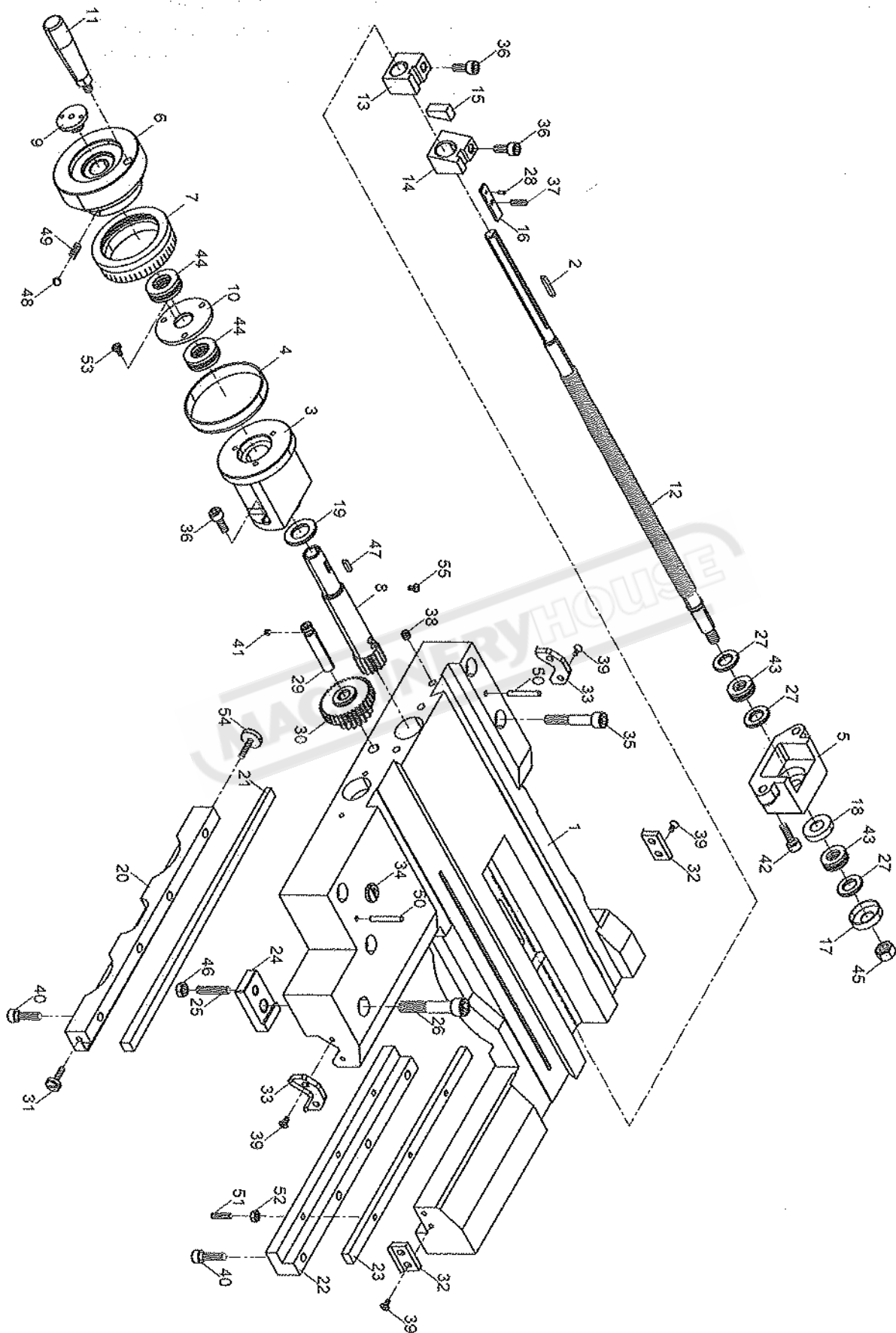
# APRON WORMBOX





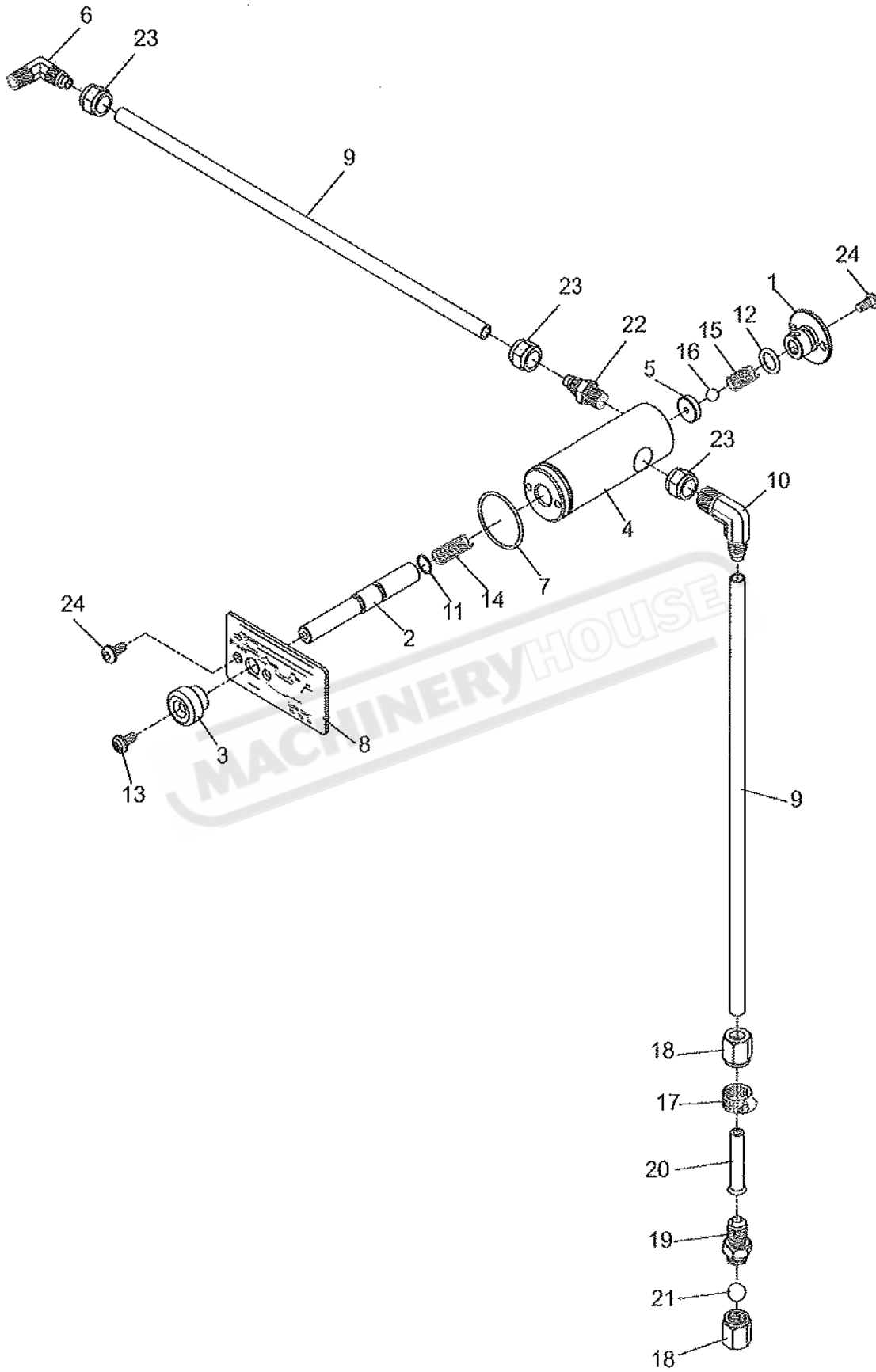
<u>NO.</u>	<u>PART NO.</u>	<u>DESCRIPTION</u>	<u>QUANTITY</u>	<u>NO.</u>	<u>PART NO.</u>	<u>DESCRIPTION</u>	<u>QUANTITY</u>
1.	C-3044-1	Worm Set, R.H.	1	41.	A-6020	O-Ring (P42)	2
	C-3044-2	Worm Set, L.H.	1	42.	A-1203	Socket Head Cap Screw (M6x16L)	4
2.	C-3045	Bush Assembly	2	43.	A-1601	Cross Recessed Head Screw (3/16"x3/8")	2
3.	C-3046	Pinion	1	44.	A-1100	Socket Headless Set Screw (M6x6L)	2
4.	C-3048	Trip Shaft	1	45.	A-1103	Socket Headless Set Screw (M6x16L)	1
5.	C-3049	Worm	1				
6.	C-3050	Bush	1				
7.	C-3051	Clutch Gear Assembly	1				
8.	C-3052-1	Collar	1				
9.	C-3052-2	Collar	1				
10.	C-3053	Washer	1				
11.	C-3054	Rod	1				
12.	C-3055	Lever	1				
13.	C-3056	Stud	1				
14.	C-3057	Inter-Lock Shaft	1				
15.	C-3058	Stud	1				
16.	C-3059	Dent	2				
17.	C-3060	Washer	4				
18.	C-3061	Dent	1				
19.	C-3063	Dent	1				
20.	C-3064	Plate	1				
21.	C-3065	Plate	1				
22.	C-3066	Adjusting Shaft	1				
23.	C-3067	Coupling Assembly	1				
24.	C-3069	Adapting Plate	1				
25.	C-3070	Adjusting Knob	1				
26.	C-3092	Spring	1				
27.	A-4011	Pin (øx50)	1				
28.	A-4005	Pin (øx20)	2				
29.	A-4001	Pin (øx20)	1				
30.	A-7229	Key (5x5x45)	1				
31.	A-2000	Bearing (#1528 AS)	2				
32.	A-2002	Bearing (#3047 AS)	3				
33.	A-1719	Nylon Nut (3/8")	1				
34.	A-1712	Nut (1/2"UNC)	1				
35.	A-1700	Nut (M6)	1				
36.	A-8408	Spring	1				
37.	A-8409	Spring	1				
38.	A-9205	Ball (ø3/8")	1				
39.	A-5009	Oil Seal (SC30x40x6)	2				
40.	A-6009	O-Ring (P21)	1				

SADDLES : ASSEMBLIES



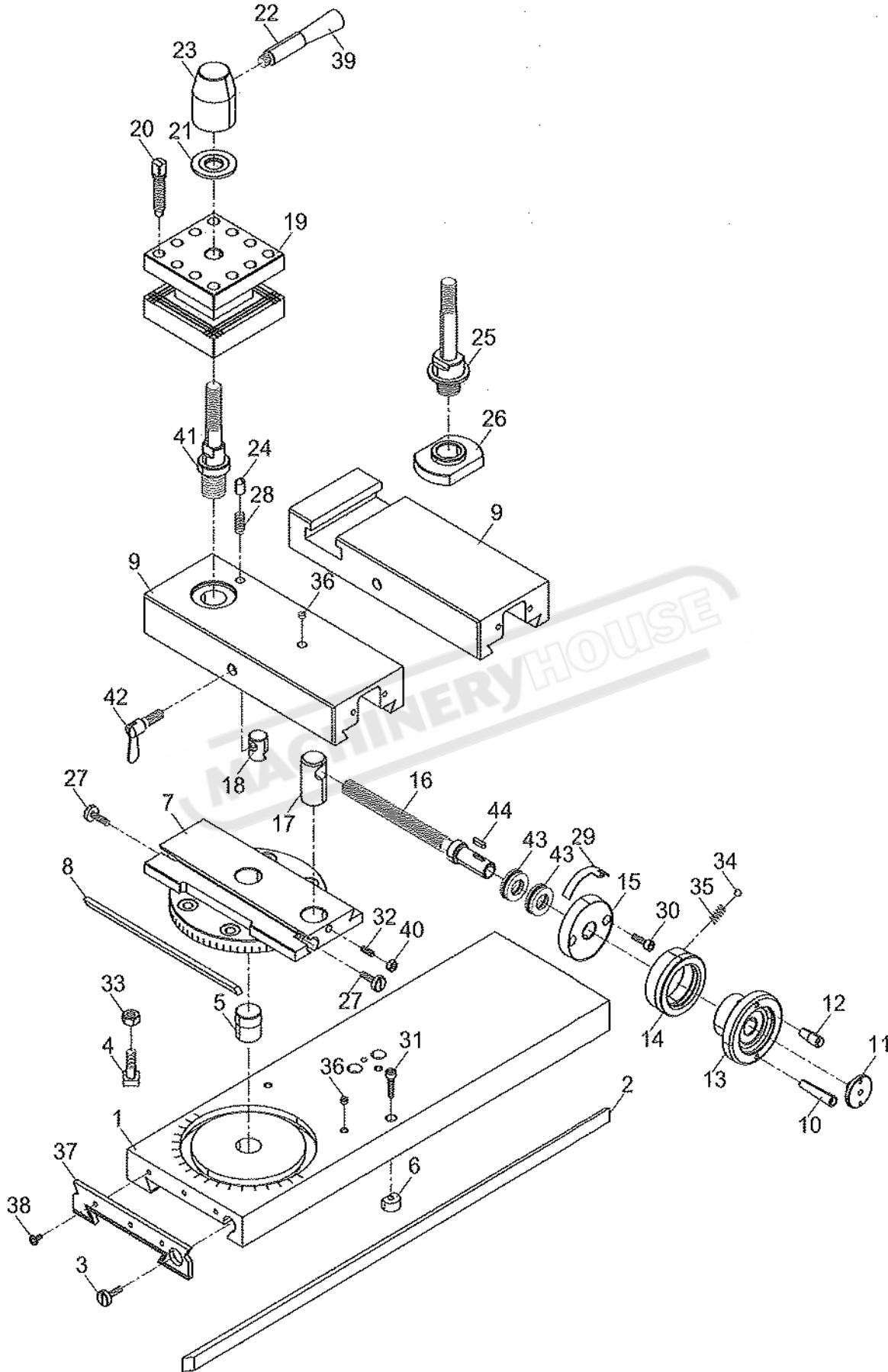
<u>NO.</u>	<u>PART NO.</u>	<u>DESCRIPTION</u>	<u>QUANTITY</u>	<u>NO.</u>	<u>PART NO.</u>	<u>DESCRIPTION</u>	<u>QUANTITY</u>
1.	C-4001	Saddle Casting	1	36.	A-1213	Socket Head Cap Screw (M8x20)	4
2.	A-7209	Key (5x5x35)	1	37.	A-1104	Socket Headless Set Screw (M6x20)	1
3.	C-4002	Keep Assembly	1	38.	A-1106	Socket Headless Set Screw (M8x8)	1
4.	C-4003	Collar	1	39.	A-1605	Cross Recessed Head Screw (M5x10)	8
5.	C-4004	Bracket	1	40.	A-1215	Socket Head Cap Screw (M8x30)	8
6.	C-4005-2	Handwheel	1	41.	A-1100	Socket Headless Set Screw (M6x6)	1
7.	C-4006-1	Index Ring (Metric)	1	42.	A-1214	Socket Head Cap Screw (M8x25)	2
	C-4006-2	Index Ring (Inches)	1	43.	A-2000	Bearing (#1528)	2
	C-4006-4	Index Ring (Dual Dial):Inches	1	44.	A-2001	Bearing (#AS2035)	2
	C-4006-3	Index Ring (Dual Dial): Metric	1	45.	A-1734	Nylon Nut (M12xP1.25)	1
8.	C-4007	Pinion	1				
9.	C-3032	Plug	1	46.	A-1701	Nut (M8)	1
10.	C-4009	Collar	1	47.	A-7202	Key (4x4x15)	1
				48.	A-9202	Ball ( $\phi$ 1/4")	2
11.	C-4011	Handle	1	49.	A-8410	Spring	2
12.	C-4012-1	Leadscrew (Metric)	1	50.	A-4009	Pin (5x40)	2
	C-4012-2	Leadscrew (Inches)	1				
13.	C-4013-1	Nut Assembly (Metric)	1	51.	A-1131	Socket Headless Set Screw (M6x25)	3
	C-4013-2	Nut Assembly (Inches)	1	52.	A-1700	Nut (M6)	3
14.	C-4014-1	Nut Assembly (Metric)	1	53.	A-1509	Round Head Cap Screw (M5x10)	3
	C-4014-2	Nut Assembly (Inches)	1	54.	C-4047	Gib Screw	1
15.	C-4015	Gib	1	55.	A-1513	Round Head Screw (M4x5)	1
16.	C-4016	Guide Plate	1				
17.	C-4017	Shield	1				
18.	C-4018	Shield	1				
19.	C-8033	Spacer	1				
20.	C-4020	Strip (Front)	1				
21.	C-4021	Gib (Front)	1				
22.	C-4020-1	Strip (Rear)	1				
23.	C-4021-1	Gib (Rear)	1				
24.	C-4022	Clamp	1				
25.	A-1134	Socket Headless Set Screw (M8x40)	1				
26.	A-1253	Socket Head Cap Screw (M12x70)	1				
27.	C-4026	Washer	3				
28.	A-4023	Pin ( $\phi$ 3x6)	1				
29.	C-4030	Shaft	1				
30.	C-4031	Gear	1				
31.	C-4032	Gib Screw	1				
32.	C-4033	Flat Whipper	2				
33.	C-4034	Vee Whipper	2				
34.	A-9503	Plug	1				
35.	A-1243	Socket Head Cap Screw (M10x65)	4				

### SADDLE LUBRICATION



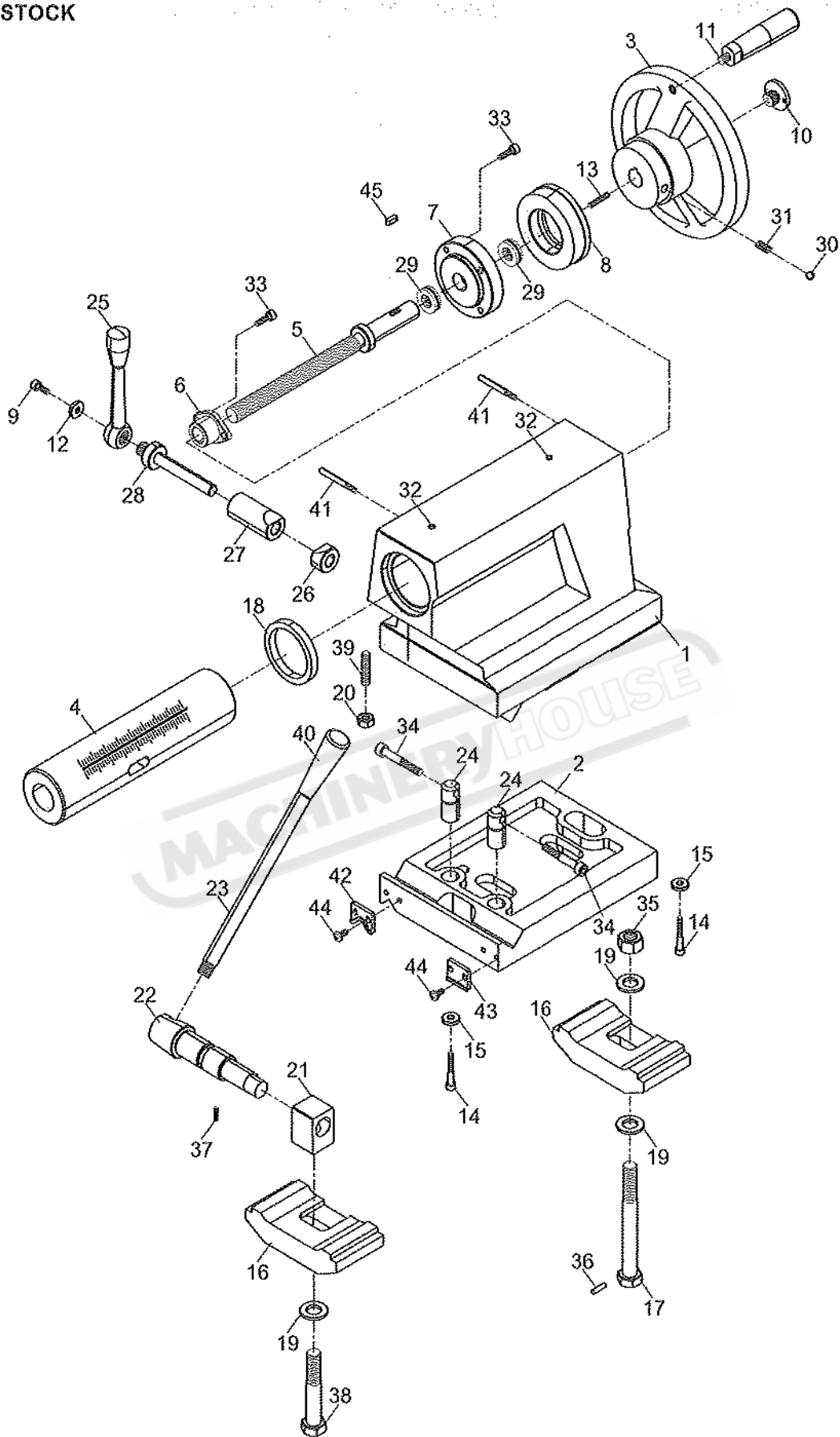
<u>NO.</u>	<u>PART NO.</u>	<u>DESCRIPTION</u>	<u>QUANTITY</u>
1.	C-4036	Cover	1
2.	C-4037	Axle	1
3.	C-4038	Button	1
4.	C-4039	Pump	1
5.	C-4040	Plug	1
6.	A-9619	Joint	1
7.	A-6016	O-Ring (AS568-024)	1
8.	NC-40	Name Plate	1
9.	A-9313	Tube	2
10.	A-9308	Inlet Valve	1
11.	A-6000	O-Ring (P7)	1
12.	A-6002	O-Ring (P10A)	1
13.	A-1509	Cross Recessed Head Screw (M5x10)	1
14.	A-8412	Spring	1
15.	A-8413	Spring	1
16.	A-9206	Ball( $\phi$ 3/16")	1
17.	A-9317	Clamp	1
18.	A-9311	Nut	2
19.	A-9312	By-pass	1
20.	A-9315	Sleeve	1
21.	A-9205	Ball( $\phi$ 3/8")	1
22.	A-9610	Jointer (6mm)	1
23.	A-9634	Nut	3
24.	A-1509	Round Head Cap Screw (M5x10)	4

SADDLES : ASSEMBLIES



<u>NO.</u>	<u>PART NO.</u>	<u>DESCRIPTION</u>	<u>QUANTITY</u>	<u>NO.</u>	<u>PART NO.</u>	<u>DESCRIPTION</u>	<u>QUANTITY</u>
1.	C-5001	Cross Slide Assembly	1	36.	A-9300	Oilers (1/4")	6
2.	C-5002	Gib	1	37.	C-5029	Wipper	1
3.	C-4032	Gib Screw	2	38.	A-1509	Cross Recessed Head Screw (M5x10)	3
4.	C-5004	Bolts	4	39.	A-9107	Handle	1
5.	C-5005	Pivot	1	40.	A-1700	Nut (M6)	2
6.	C-5006	Locking Pad	1	41.	C-5022	Top Slide Stud	1
7.	C-5007	Swivel Slide	1	42.	A-4516	Handle Set Screw (M8)	1
8.	C-5008	Gib	1	43.	A-2021	Bearing (51103)	2
9.	C-5009	Top Slide	1	44.	A-7202	Key (4x4x15)	1
	C-5009-2	Slotted Top Slide	1				
10.	C-5010	Long Handle	1				
11.	C-5011	Plug	1				
12.	C-5012	Short Handle	1				
13.	C-5013-2	Handwheel Assembly	1				
14.	C-5014-1	Index Ring (Metric)	1				
	C-5014-2	Index Ring (Inch)	1				
	C-5014-7	Index Ring (Dual Dial) (Metric)	1				
	C-5014-8	Index Ring (Dual Dial) (Inch)	1				
15.	C-5015	Keep Assembly	1				
16.	C-5017-1	Leadscrew (Metric)	1				
	C-5017-2	Leadscrew (Inch)	1				
17.	C-5018-1	Nut (Metric)	1				
	C-5018-2	Nut (Inch)	1				
18.	C-5019	Pad	1				
19.	C-5023-2	4 Way Toolpost	1				
20.	C-5024-2	Square Head Screws	12				
21.	C-5025	Washer	1				
22.	C-5026-1	Handle	1				
23.	C-5027-1	Handle Boss	1				
24.	C-5028	Stoper	1				
25.	C-9062	Slotted Top Slide Stud	1				
26.	C-9063	Slotted Top Slide Nut	1				
27.	C-4032	Gib Screw	2				
28.	A-8512	Spring	1				
29.	NC-30	Marking Plate (Dual Dial Only)	1				
30.	A-1204	Socket Head Cap Screw (M6x20)	2				
31.	A-1205	Socket Head Cap Screw (M6x25)	1				
32.	A-1103	Socket Headless Set Screw (M6x20)	2				
33.	A-1708	Nut (3/8")	4				
34.	A-9202	Ball ( $\phi$ 1/4")	2				
35.	A-8411	Spring	2				

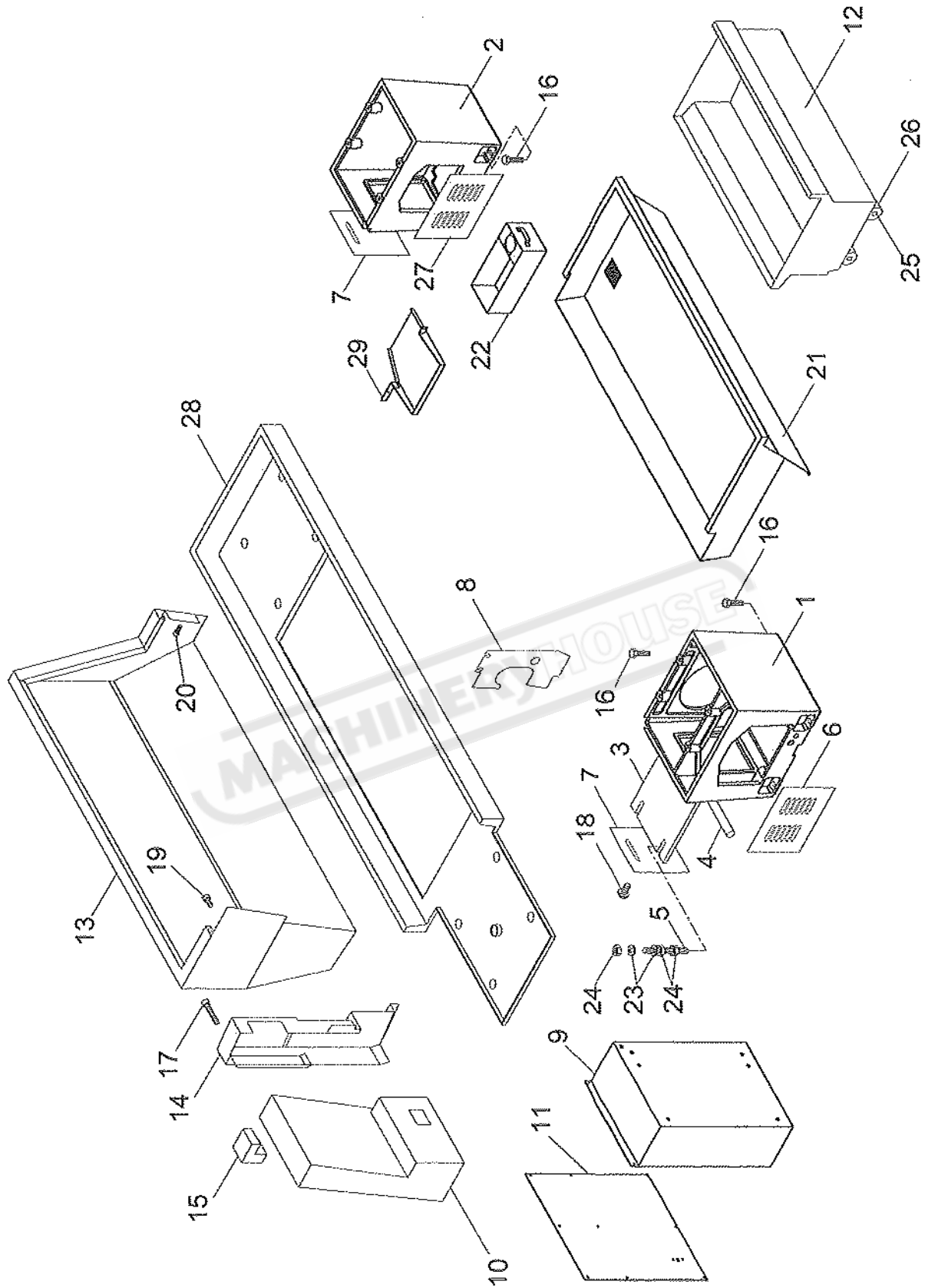
# TAILSTOCK





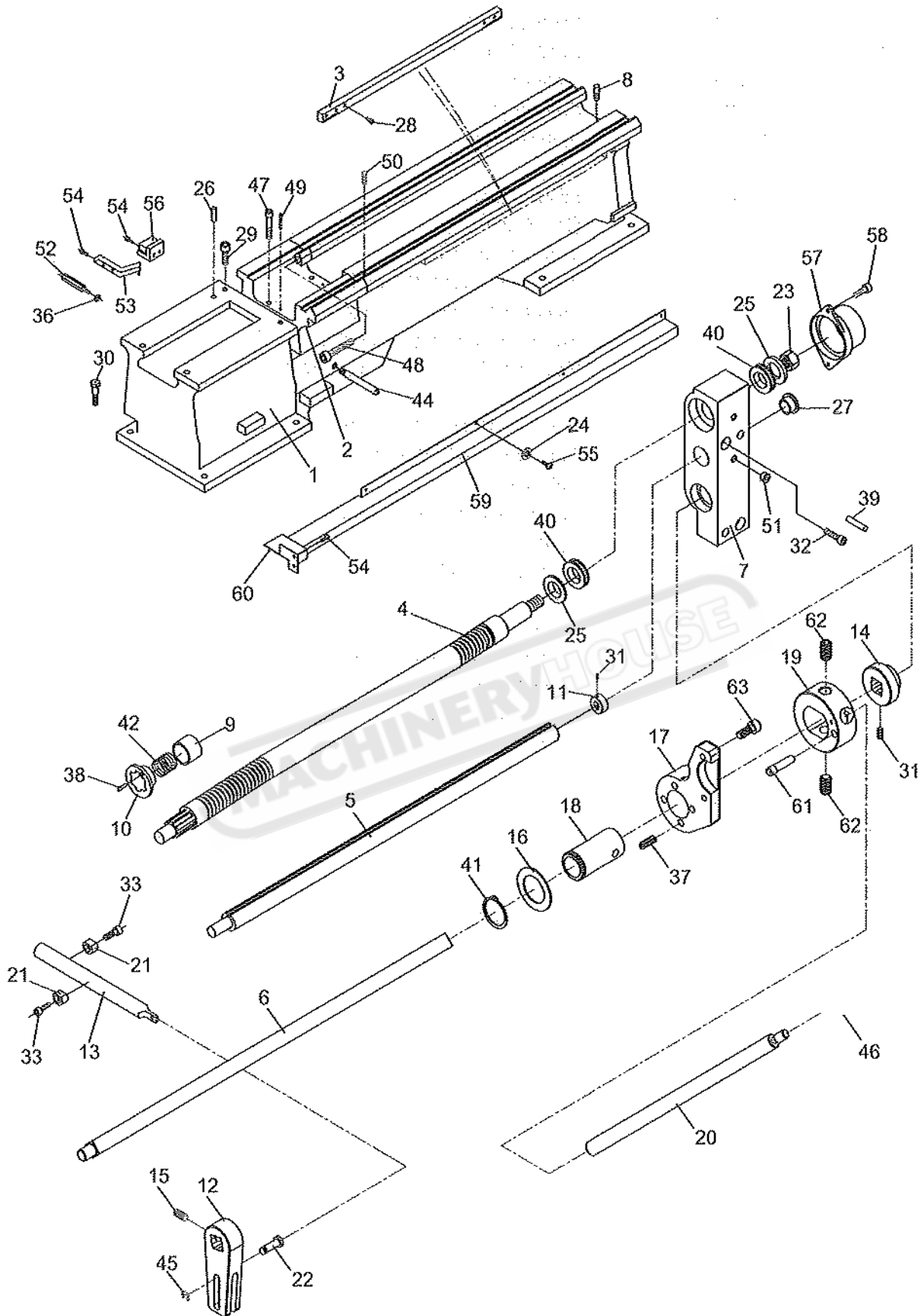
<u>NO.</u>	<u>PART NO.</u>	<u>DESCRIPTION</u>	<u>QUANTITY</u>	<u>NO.</u>	<u>PART NO.</u>	<u>DESCRIPTION</u>	<u>QUANTITY</u>
1.	C-6001	Tailstock Casting	1	41.	C-6026	Stoper	2
2.	C-6002	Tailstock Base	1	42.	C-6035	Wippers (Vee)	2
3.	C-6003	Handwheel	1	43.	C-6036	Wippers (Flat)	2
4.	C-6004	Barrel	1	44.	A-1605	Recessed Flial Head Screw (M5x10)	8
5.	C-6005-1	Leadscrew (Metric)	1	45.	A-7205	Key (5x5x15)	1
	C-6005-2	Leadscrew (Inch)	1				
6.	C-6006-1	Nut (Metric)	1				
	C-6006-2	Nut (Metric)	1				
7.	C-6007	Keeper	1				
8.	C-6008-1	Index Ring (Metric)	1				
	C-6008-2	Index Ring (Inch)	1				
9.	A-1203	Socket Head Cap Screw (M6x16)	1				
10.	C-3032	Plug	1				
11.	C-3034	Handle	1				
12.	R-1030	Washer	1				
13.	A-1105	Socket Headless Set Screw (M6x30)	1				
14.	A-1208	Socket Head Cap Screw (M6x40)	2				
15.	R-1030	Washers	2				
16.	C-6015	Clamp Plate	2				
17.	A-1437	Hexagon Head Bolt (M16x140)	1				
18.	A-5025	Oil Seal (58.72.9)	1				
19.	A-1907	Washer ( $\phi$ 16)	3				
20.	A-1702	Nut (M10)	1				
21.	C-6022	Pivot Block	1				
22.	C-6023	Crank Shaft	1				
23.	C-6024	Lever	1				
24.	C-6025	Pins	2				
25.	C-6029	Handle	1				
26.	C-6030	Clamp Bush	1				
27.	C-6031	Clamp Bush	1				
28.	C-6032	Shaft	1				
29.	A-2022	Thrust Bearing (#51104)	2				
30.	A-9202	Ball ( $\phi$ 1/4")	2				
31.	A-8414	Spring	2				
32.	A-9300	Oilers ( $\phi$ 1/4")	2				
33.	A-1204	Socket Head Cap Screw (M6x20)	6				
34.	A-1261	Socket Head Cap Screw (M8x55)	2				
35.	A-1720	Nut (M16)	1				
36.	A-4005	Pin ( $\phi$ 5x20)	1				
37.	A-1130	Socket Headless Set Screw (M5x15)	1				
38.	A-1430	Hexagon Head Bolt (M16x90)	1				
39.	A-1132	Socket Headless Set Screw (M10x40)	1				
40.	A-9107	Handles	1				

### CABINET & PANELS



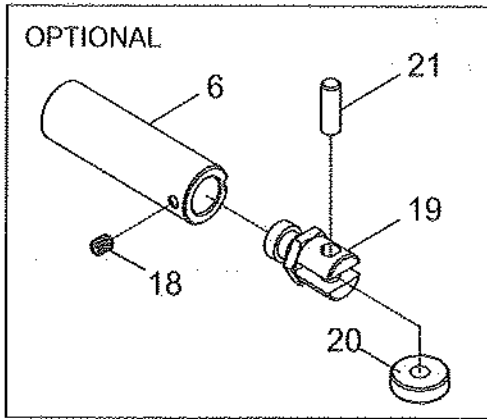
<u>NO.</u>	<u>PART NO.</u>	<u>DESCRIPTION</u>	<u>QUANTITY</u>
1.	C-7001	Plinth , Head-End	1
2.	C-7002	Plinth , Tail-End	1
3.	C-7003	Platform	1
4.	C-7004	Adjusted Rod	1
5.	C-7005	Adjusted Screw	2
6.	T-7037	Motor Cover	1
7.	C-7008	Rear Cover	2
8.	C-7013	Gearbox Guard	1
9.	C-8025	Electrical Cabinet (Standard)	1
10.	C-8107	Electrical Cabinet (CE Model)	1
	C-8107-1	Electrical Cabinet (VS Model)	1
	C-8107-2	Electrical Cabinet (CE Model W/Clutch)	1
11.	C-8031	Electrical Cabinet Cover (Standard)	1
12.	C-7035	Chip Trolley (OPTIONAL)	1
13.	C-7019	Splash Guard	1
	C-7019-1	Splash Guard (Extra Depth)	1
14.	C-7020	Brake Guard	1
15.	C-8038	Meter Box (VS Model Only)	1
16.	A-1428	Hexagon Head Bolt (M16x65L)	16
17.	A-1256	Socket Head Cap Screw (M8x85L)	3
18.	A-1512	Cross Recessed Head Screw (M6x12L)	16
19.	A-1202	Socket Head Cap Screw (M6x12L)	2
20.	A-1204	Socket Head Cap Screw (M6x20L)	2
21.	C-7018	Chip Tray	1
22.	C-9029	Coolant Tank	1
23.	A-1905	Washer (ø/2")	4
24.	A-1703	Nut (M12)	6
25.	J-7025	Wheel Shaft (OPTIONAL)	4
26.	J-7026	Wheel (OPTIONAL)	4
27.	T-7037	Cover & Door	1
28.	C-7016	Tray	1
	C-7016-1	Tray (CE & VS Model)	1
29.	C-7014	Chute	1

### BED & SHAFTS

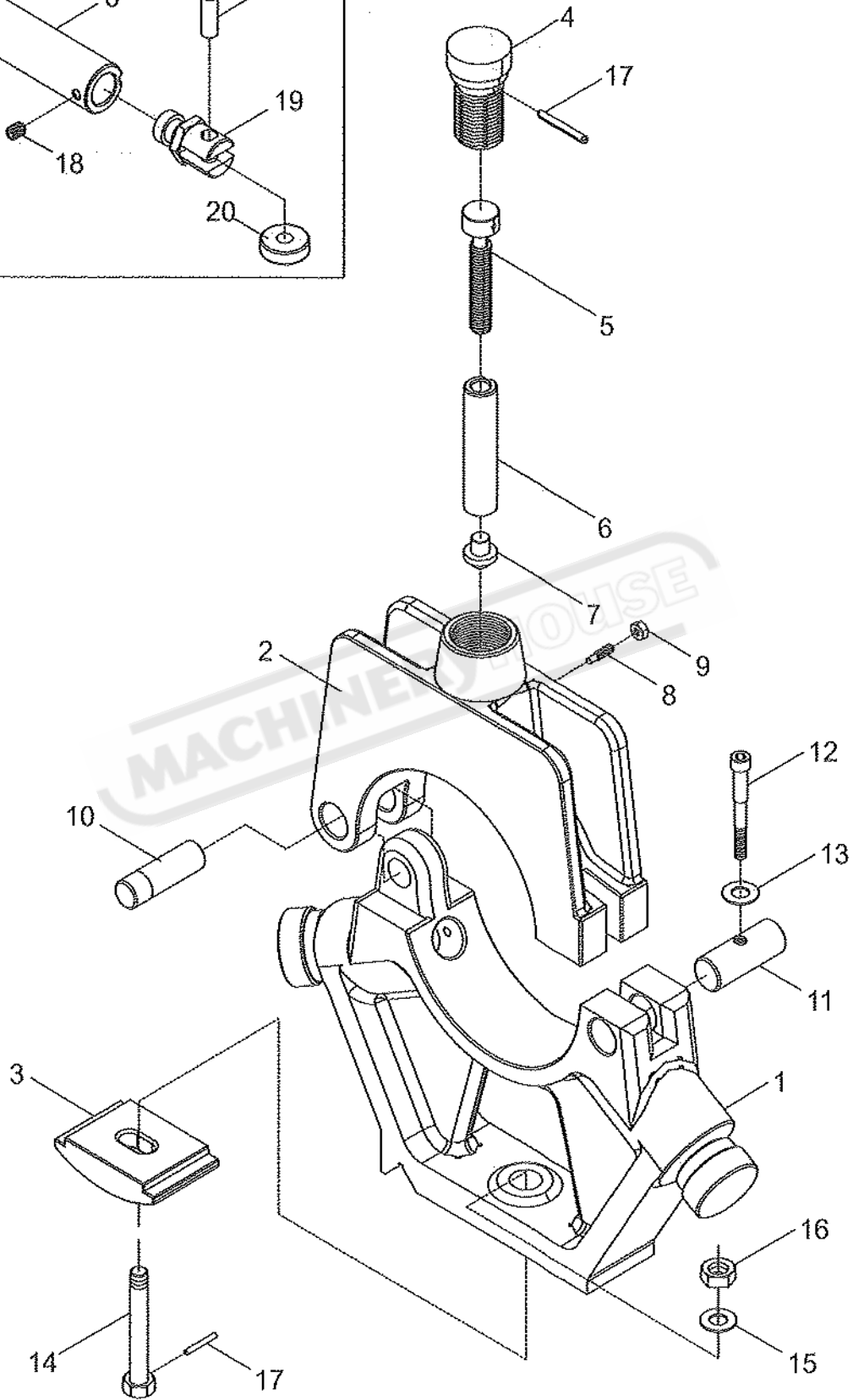


<u>NO.</u>	<u>PART NO.</u>	<u>DESCRIPTION</u>	<u>QUANTITY</u>	<u>NO.</u>	<u>PART NO.</u>	<u>DESCRIPTION</u>	<u>QUANTITY</u>
1.	C-8801-1	Gap Bed (760/1000/1250)	1	41.	A-3313	Circlip (S32)	1
	C-8801-2	Straight Bed (760/1000/1250)	1	42.	A-8415	Spring	1
2.	C-8001-2	Gap Piece	1	43.	A-8416	Spring	1
3.	C-8002	Rack Set (760/1000/1250)	1	44.	C-3096	Stop Pin	1
4.	C-8003-1	Leadscrew (Metric) (760/1000/1250)	1	45.	A-3102	Circlip (E8)	1
	C-8003-2	Leadscrew (Inch) (760/1000/1250)	1				
5.	C-8004	Feed Shaft (760/1000/1250)	1	46.	A-9110	Handle	1
				47.	A-1257	Socket Head Cap Screw (M12x55L)	2
6.	C-8005RA	Switch Rod (760/1000/1250)	1	48.	A-1181	Socket Head Cap Screw (M8x65L)	2
7.	C-8806RA	End Bracket	1	49.	A-4205	Pin (ø6x75)	2
8.	C-8007	Stop Pin	1	50.	A-1100	Socket Headless Set Screw (M6x6L)	2
9.	C-8009	Collar	1				
10.	C-8010	Sleeve	1	51.	A-9300	Oiler (ø1/4")	2
				52.	T-7034	Bolt	2
11.	C-8011-1	Collar	1	53.	T-8024	Flow Guard	1
12.	C-8012RA	Connector	1	54.	A-1202	Socket Head Cap Screw (M6x12L)	6
13.	C-8013	Connecting Bar	1	55.	A-1509	Socket Round Head Cap Screw (M5x10L)	6
14.	F-8028	Collar	1				
15.	A-1123	Socket Headless Set Screw (M8x16L)	1	56.	C-8027	Switch Plate	1
				57.	F-8008	Cover	1
16.	F-8021	Washer	1	58.	A-1528	Socket Round Head Cap Screw (M4x8)	2
17.	C-8017RA	Bracket	1	59.	C-7036	Leadscrew Cover (OPTION)	1
18.	F-8016	Bushing	1	60.	C-7037	Guard (OPTION)	1
19.	F-8019	Lever Assembly	1				
20.	F-8020	Lever	1	61.	F-8018	Stud	1
				62.	A-1113	Socket Headless Set Screw (M12x20L)	2
21.	T-7024	Tracer	2	63.	A-1213	Socket Head Cap Screw (M8x20L)	2
22.	C-8022	Stud	1				
23.	A-1744	Nylon Nut (M16xP1.5)	1				
24.	A-1901	Washer (ø1/4")	6				
25.	C-8033	Collar	2				
26.	T-7003	Pin	1				
27.	C-2075	Plug	1				
28.	A-1205	Socket Head Cap Screw (M6x25L)	10				
29.	A-1241	Socket Head Cap Screw (M12x35L)	4				
30.	A-1428	Hexagon Head Bolt (M16x65L)	8				
31.	A-1101	Socket Headless Set Screw (M6x10L)	2				
32.	A-1258	Socket Head Cap Screw (M8x35L)	2				
33.	A-1204	Socket Head Cap Screw (M6x20L)	2				
34.	A-1203	Socket Head Cap Screw (M6x16L)	2				
35.	A-1104	Socket Headless Set Screw (M6x20L)	2				
36.	A-1701	Nut (M8)	2				
37.	A-8219	Spring	4				
38.	C-2048-1	Pin	1				
39.	A-4015	Pin (ø3/8"x38)	2				
40.	A-2022	Bearing (#51104)	2				

STEADY REST-HEAVY DUTY TYPE

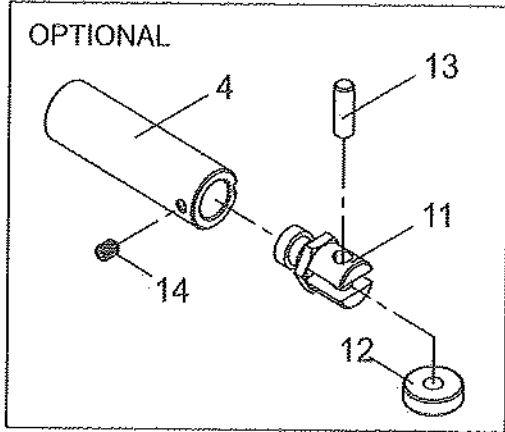


STANDARD

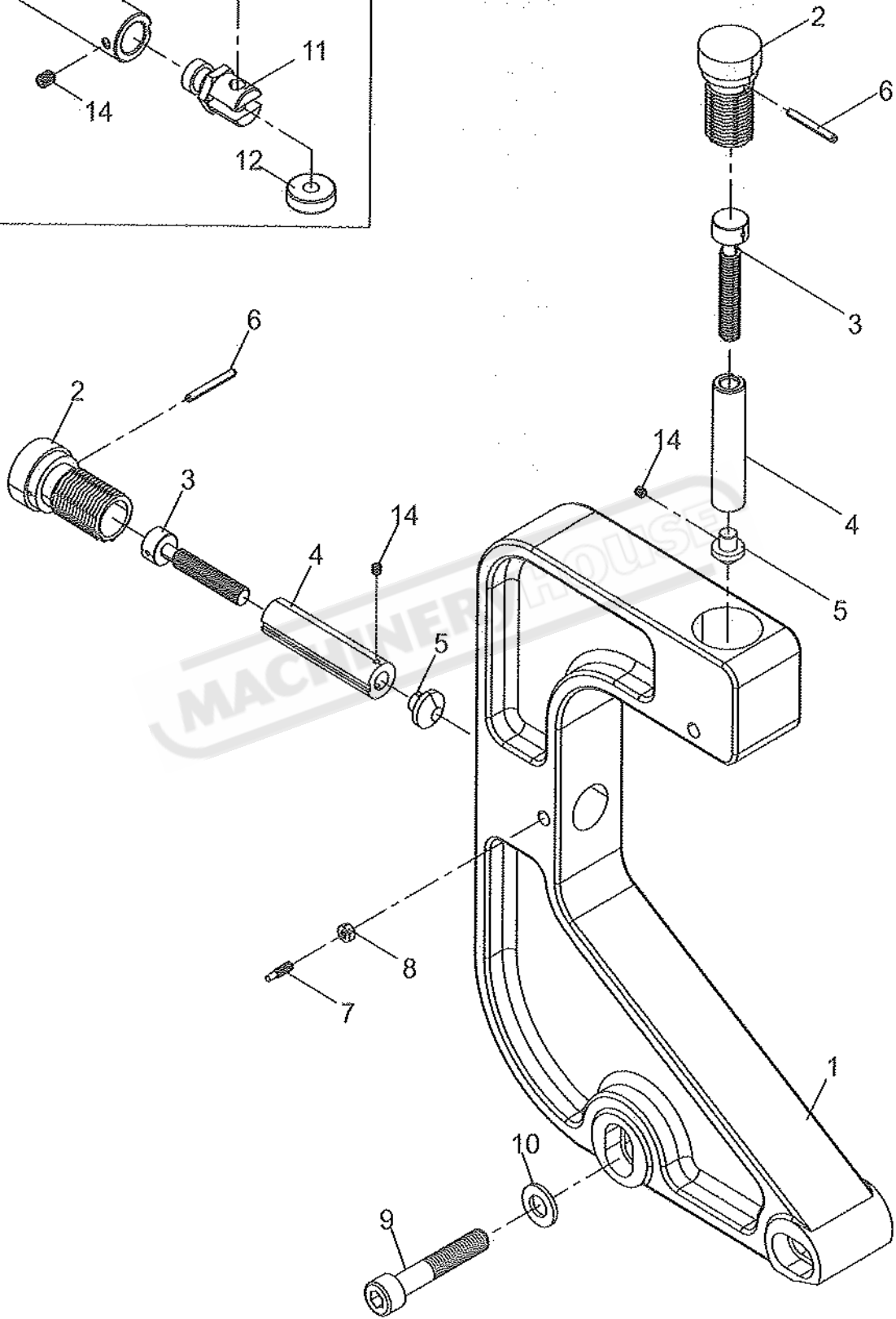


<u>NO.</u>	<u>PART NO.</u>	<u>DESCRIPTION</u>	<u>QUANTITY</u>
1.	C-9042	Bottom Body	1
2.	C-9041	Top Body	1
3.	C-6015	Clamp Plate	1
4.	C-9048	Collar	3
5.	C-9047	Adjusting Screw	3
6.	C-9046	Finger	3
7.	C-9045	Finger Pad	3
8.	A-1136	Socket Headless Set Screw (M8x25)	3
9.	A-1701	Nut (M8)	3
10.	C-9040	Pivot	1
11.	C-9044	Pivot	1
12.	A-1228	Socket Head Cap Screw ( $\phi$ 3/8"x2 1/4")	1
13.	A-1803	Washer ( $\phi$ 3/8")	1
14.	A-1438	Socket Head Cap Screw (M16x100)	1
15.	A-1907	Washer ( $\phi$ 16)	2
16.	A-1702	Nut (M16)	1
17.	A-4009	Pin ( $\phi$ 5x40)	4
18.	C-9046-2	Socket Headless Set Screw (M6x6) (Optional)	3
19.	C-9046-1	Roller Seat (Optional)	3
20.	A-2039	Bearing (6000ZZ) (Optional)	3
21.	C-9046-2	Pin	3

FOLLOW REST



STANDARD

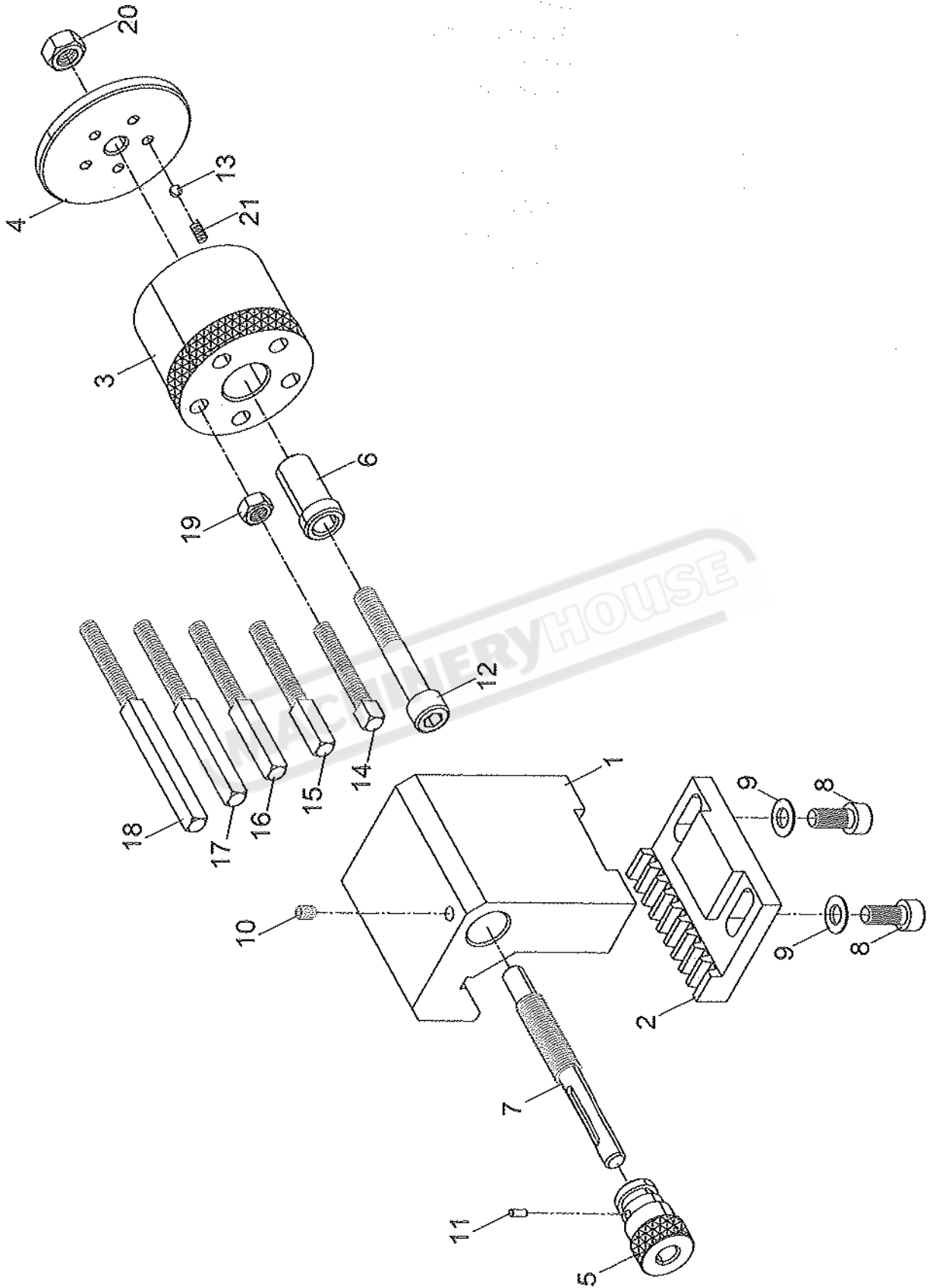




<u>NO.</u>	<u>PART NO.</u>	<u>DESCRIPTION</u>	<u>QUANTITY</u>
1.	C-9049	Body	1
2.	C-9048	Collar	2
3.	C-9047	Adjusting Screw	2
4.	C-9046	Finger	2
5.	C-9045	Finger Pad	2
6.	A-4009	Pin ( $\phi$ 5x40)	2
7.	A-1136	Socket Headless Set Screw (M8x25)	2
8.	A-1701	Nut (M8)	2
9.	A-1217	Socket Head Cap Screw (M8x45)	2
10.	A-1802	Washer ( $\phi$ 8)	2
11.	C-9046-1	Roller Seat (Optional)	2
12.	A-2039	Bearing (6000ZZ) (Optional)	2
13.	C-9046-2	Pin (Optional)	2
14.	A-1100	Socket Headless Set Screw (M6x6)(Optional)	2

MACHINERYHOUSE

**BEDSTOPS**

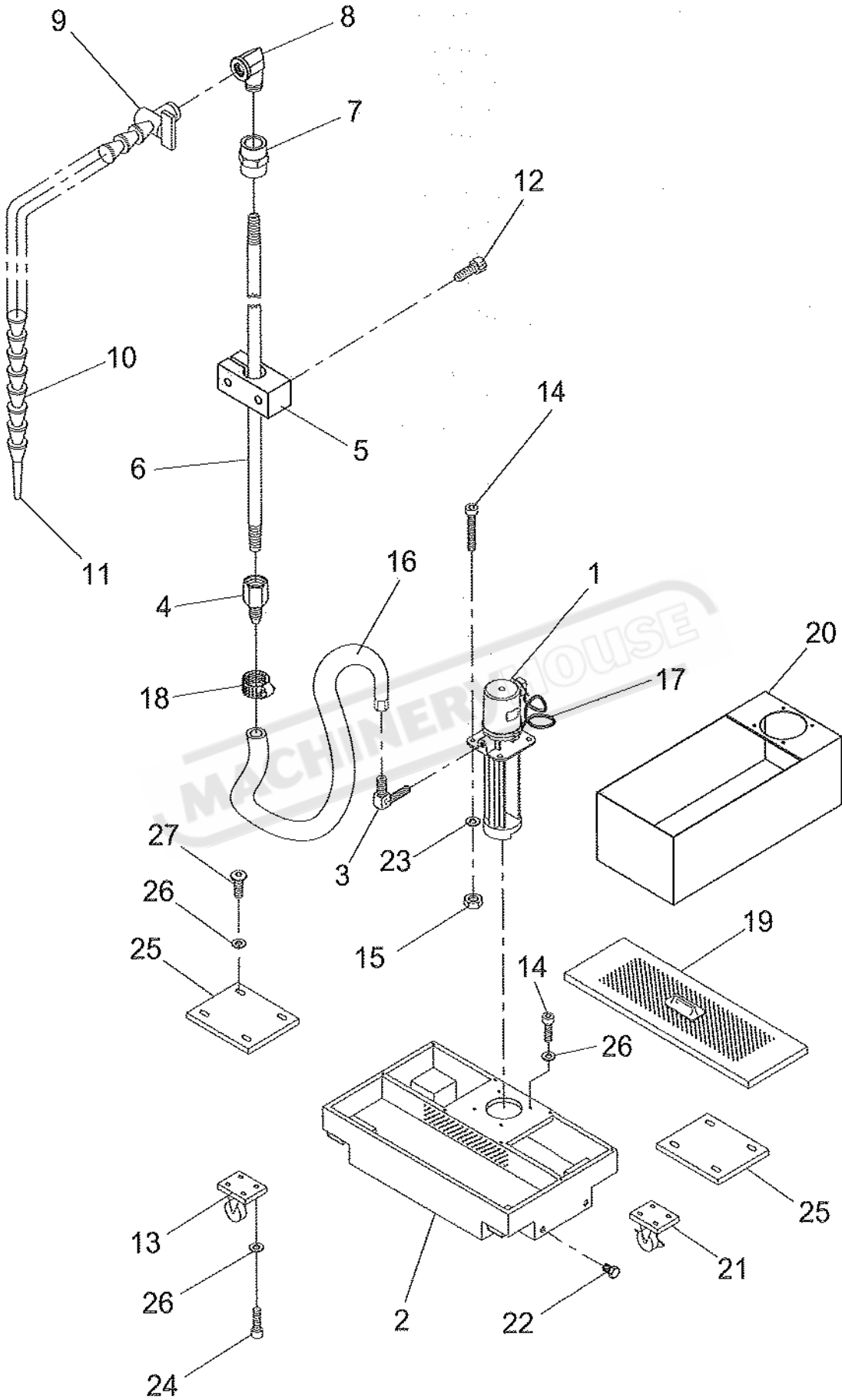


<u>NO.</u>	<u>PART NO.</u>	<u>DESCRIPTION</u>	<u>QUANTITY</u>
1.	C-9001	Body	1
2.	C-9002	Clamp	1
3.	C-9053	Turret	1
4.	C-9054	Backplate	1
5.	C-9003-1	Micrometer Dial (Metric)	1
	C-9003-2	Micrometer Dial (Inch)	1
6.	C-9055	Bush	1
7.	C-9005	Spindle (Inch)	1
8.	A-1213	Socket Head Cap Screw (M8x20L)	2
9.	A-1902	Washer (ø8)	2
10.	A-1139	Socket Headless Set Screw (M6x8L)	1
11.	A-4023	Pin (ø3x6)	1
12.	A-1238	Socket Head Cap Screw (M10x55L)	1
13.	A-9202	Ball (ø1/4")	1
14.	C-9056-1	Stop Screw	1
15.	C-9056-2	Stop Screw (83L)	1
16.	C-9056-3	Stop Screw (99L)	1
17.	C-9056-4	Stop Screw (115L)	1
18.	C-9056-5	Stop Screw (134L)	1
19.	A-1701	Nut (M8)	5
20.	A-1702	Nut (M10)	1
21.	A-8519	Spring	1



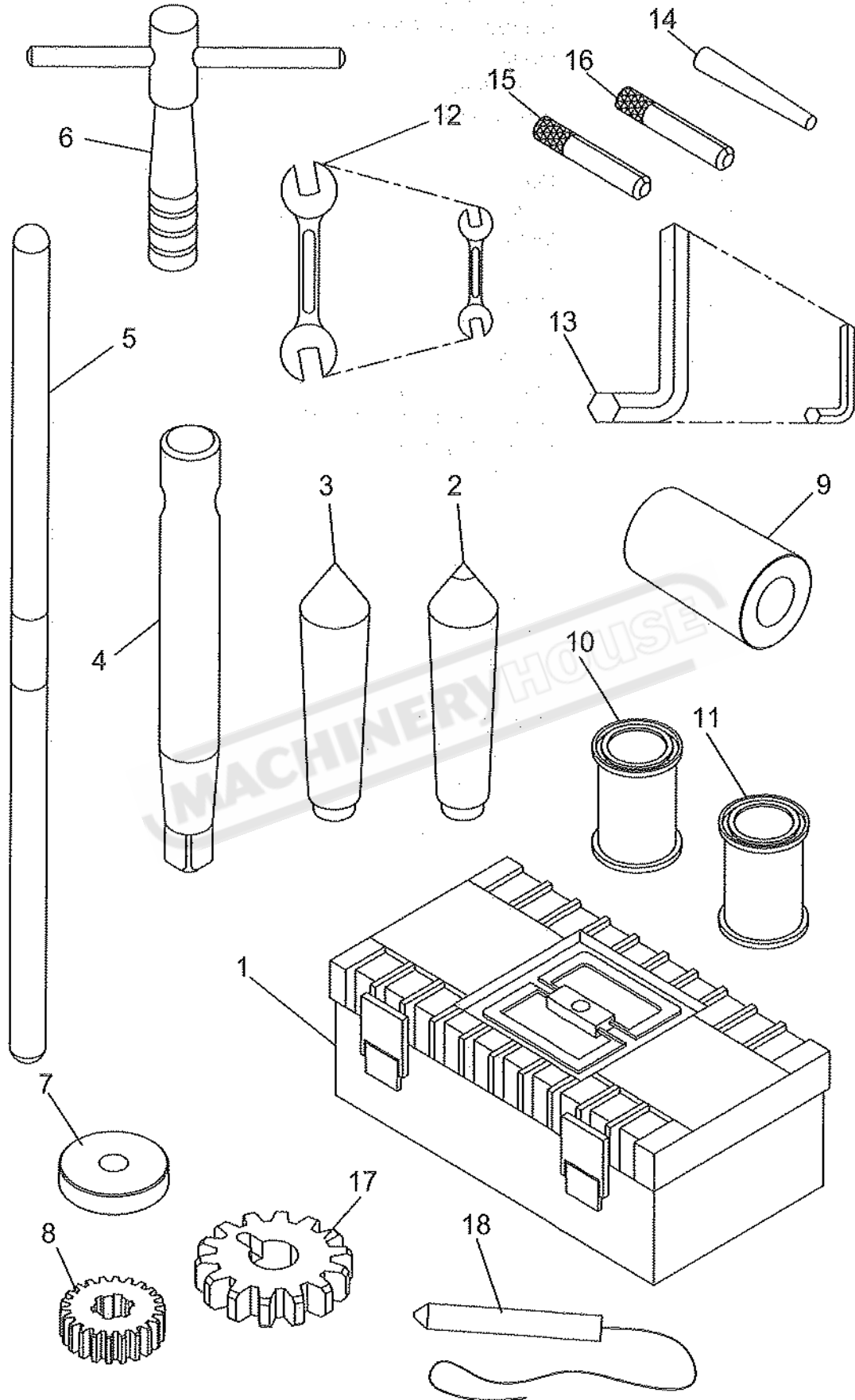
<u>NO.</u>	<u>PART NO.</u>	<u>DESCRIPTION</u>	<u>QUANTITY</u>
1.	C-9100	Q.C.T. Body	1
2.	C-9102	Toolholder Cams	2
3.	C-9103	Toolholder Pads	2
4.	C-9062	Toolpost Bolt Assembly	1
5.	A-8528	Toolscrew Wrench	1
6.	A-8529	Cam Clamp Wrench	1
7.	A-1251	Locating Screw (M10x75)	1
8.	A-1720	Nut (M16)	1
9.	R-3011	Washer	1
10.	A-8424	Spring	2
11.	C-9106	Adjusting Stop (On Each Toolholder)	1
12.	C-9107	Tool Clamp Screw (On No. 15/16 Toolholder)	4
13.	C-9108	Part-Off Toolholder	1
14.	C-9109	M.T.3 Taper Toolholder	1
15.	C-9110	Standard Toolholder	1
16.	C-9111	Boring (Vee) Toolholder	1
17.	C-9112	Plain Bore Toolholder	1
18.	C-9113	Blade Clamp	1
19.	A-1611	Socket Flat Head Screw (M6x20)	1
20.	C-9107	Height Adj. Screw (On Each Toolholder)	1
21.	A-1138	Socket Headless Set Screw (M10x100) (On Each Toolholder)	1

COOLANT PUMP ASSEMBLY



<u>NO.</u>	<u>PART NO.</u>	<u>DESCRIPTION</u>	<u>QUANTITY</u>
1.	Z-1100	(1/8HP Pump)	1
2.	C-1174	Coolant Tank (OPTION)	1
3.	A-4101	Outlet	1
4.	A-4105	Hose Sleeve	1
5.	A-9651	Pipe Bracket	1
6.	A-4106	Pipe	1
7.	A-4116	Jointer	1
8.	A-4108	Elbow	1
9.	A-4107	Valve	1
10.	A-4117	Join Pipe	1
11.	A-4118	Nozzle	1
12.	A-1204	Socket Head Cap Screw (M6x20L)	2
13.	A-0379	Roller Wheel (Caster) (OPTION)	2
14.	A-1432	Socket Head Cap Screw (M6x25L)	8
15.	A-1700	Nut (M6)	4
16.	A-4104	Hose	1
17.	A-4103	Electric Tubing	1
18.	A-9317	Clamp	1
19.	C-1176	Filter Plate (OPTION)	1
20.	C-9029	Coolant Tank	1
21.	A-0378	Roller (OPTION)	2
22.	A-0488	Plug (ø1/2" T) (OPTION)	2
23.	A-1917	Washer (ø6)	4
24.	A-1202	Socket Head Cap Screw (M6x12L)	16
25.	A-0379	Tank Cover (OPTION)	2
26.	A-1901	Washer (ø6)	28
27.	A-1509	Socket Round Head Cap Screw (M5x10L)	8

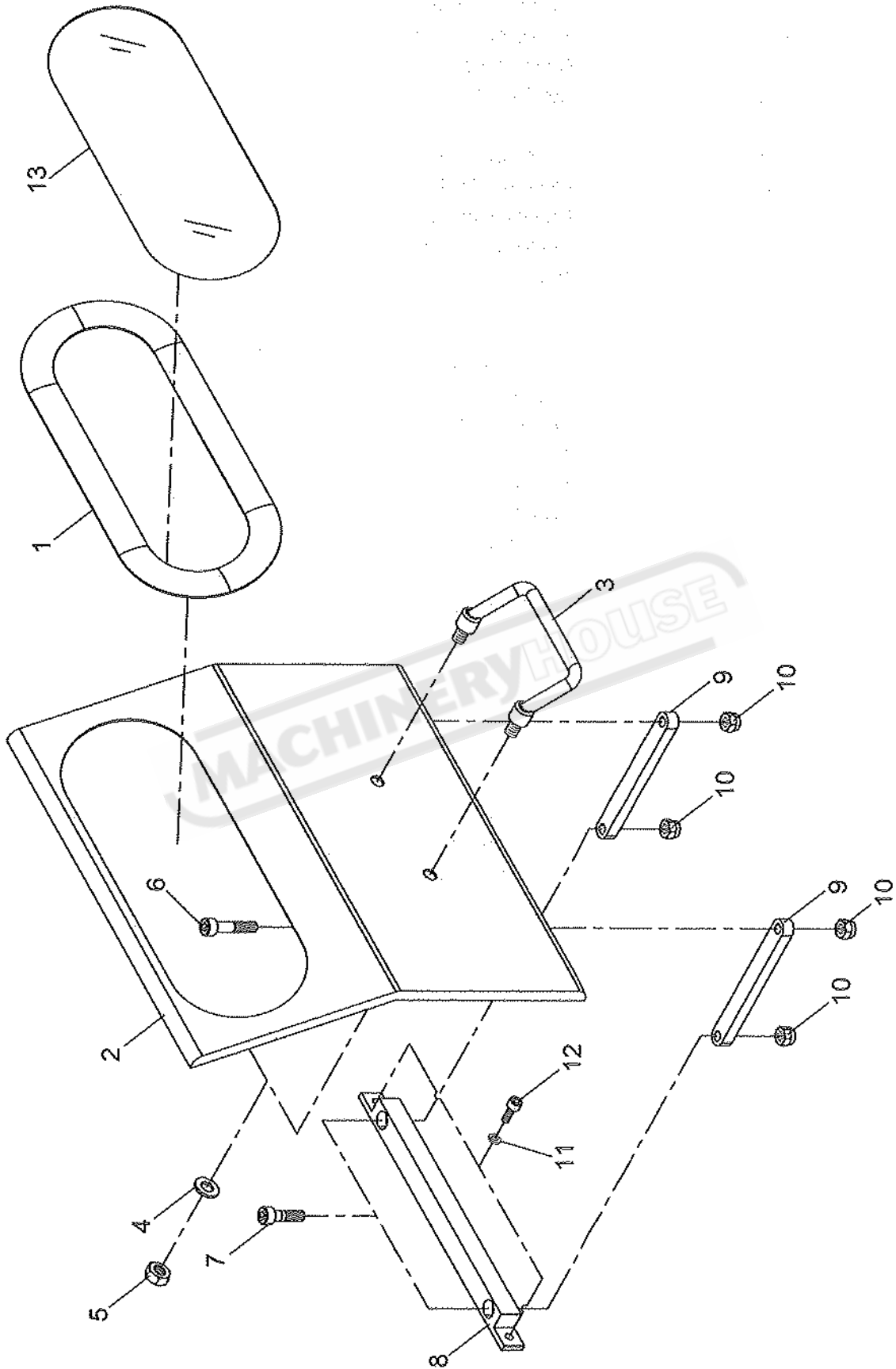
**SERVICE TOOLS & KITS**





<u>NO.</u>	<u>PART NO.</u>	<u>DESCRIPTION</u>	<u>QUANTITY</u>
1.	Z-4515	Tool Box	1
2.	A-4509	Tailstock Center	1
3.	A-4510	Headstock Center	1
4.	A-4511	Camlock Key	1
5.	A-4512	Key Handle	1
6.	A-4506	Toolscrew Wrench	1
7.	T-9086	Levelling Block	8
8.	C-1146	Change Gear (22T) (Metric)	1
9.	C-1150	Center Sleeve (M.T.#6xM.T.#4)	1
10.	A-4513	Touch Paint	1
11.	A-4514	Touch Paint	1
12.	A-4507-1	Spanner (22x24)	1
	A-4507-2	Spanner (17x19)	1
	A-4507-3	Spanner (12x14)	1
13.	A-4508-1	Allen Key (3mm)	1
	A-4508-2	Allen Key (4mm)	1
	A-4508-3	Allen Key (5mm)	1
	A-4508-4	Allen Key (6mm)	1
	A-4508-5	Allen Key (8mm)	1
	A-4508-6	Allen Key (10mm)	1
14.	C-1145	Taper Pin	6
15.	C-2048-1	Pin	2
16.	C-2065-1	Pin	2
17.	C-3080	Gear (14T) (Metric Threading Dial)	1
	C-3081	Gear (13T) (Metric Threading Dial)	1
	C-3083	Gear (20T) (Metric Threading Dial)	1
	C-3084	Gear (22T) (Metric Threading Dial)	1
18.	C-1098	Earth Bar With Cable (VS Model)	1

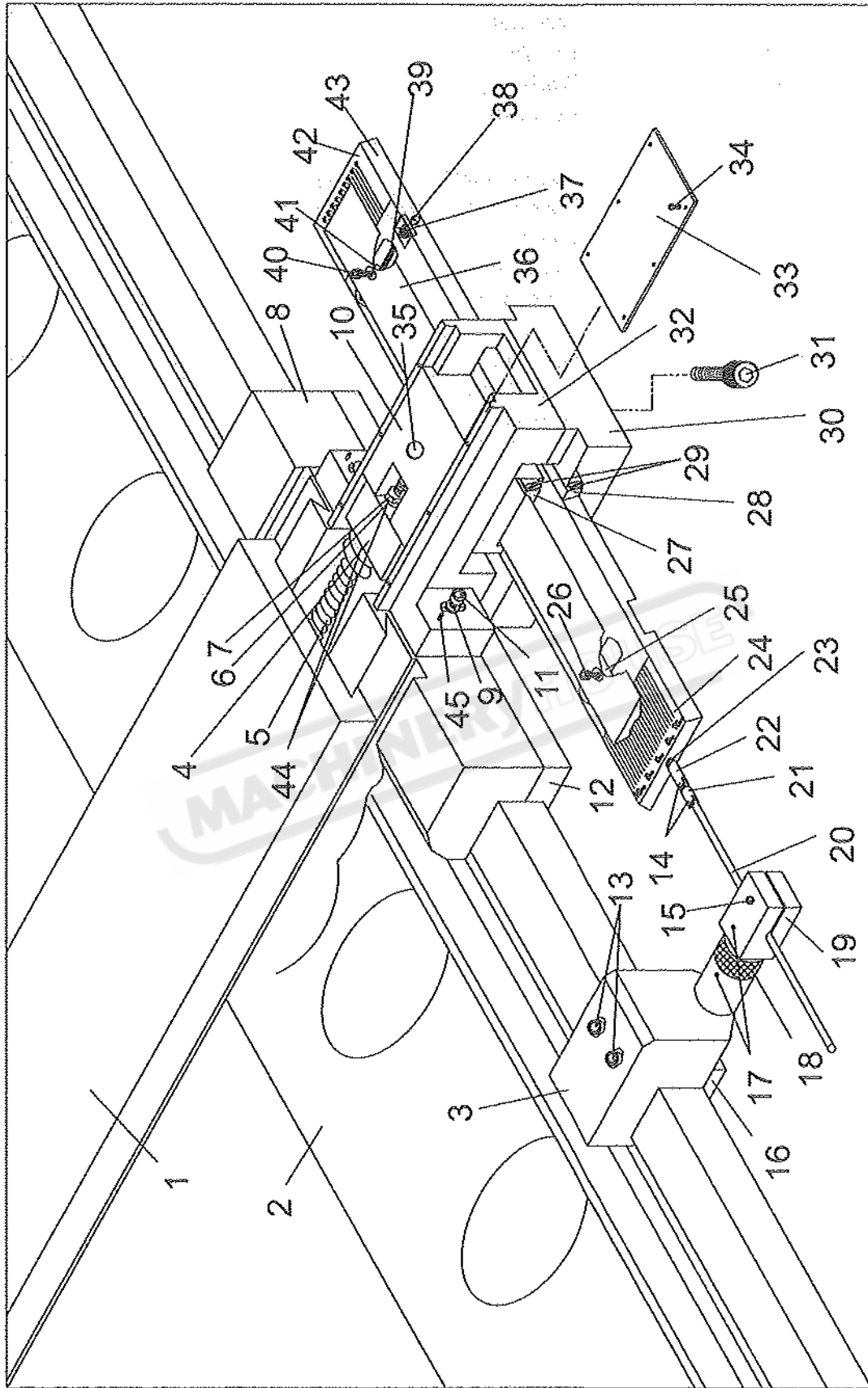
**FOLLOWING CHIP GUARD (OPTIONAL)**



<u>NO.</u>	<u>PART NO.</u>	<u>DESCRIPTION</u>	<u>QUANTITY</u>
1.	A-9118	Strap	1
2.	C-5041	Chip Guard	1
3.	A-9117	Handle	1
4.	A-1807	Washer ( $\phi$ 10)	2
5.	A-1702	Nut (M10)	2
6.	A-1216	Socket Head Cap Screw (M8x40)	2
7.	A-1215	Socket Head Cap Screw (M8x30)	2
8.	C-5038	Frame	1
9.	R-5030	Swivel Arm	2
10.	A-1743	Locking Nut	4
11.	A-1801	Washer ( $\phi$ 1/4")	2
12.	A-1203	Socket Head Cap Screw (M6x16)	2
13.	A-9121	Window	1

MACHINERYHOUSE

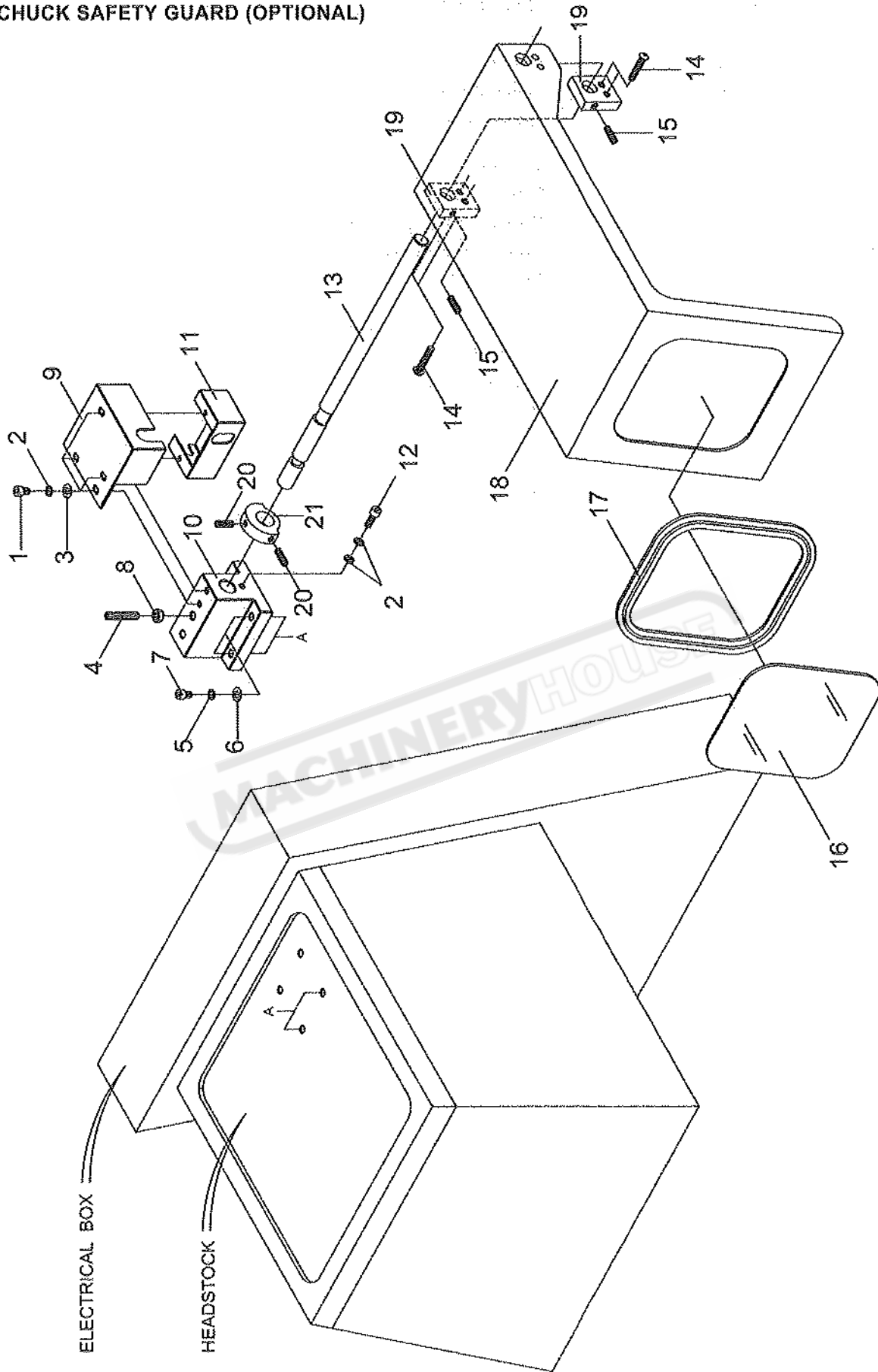
TAPER TURNING ATTACHMENT (OPTIONAL)



75

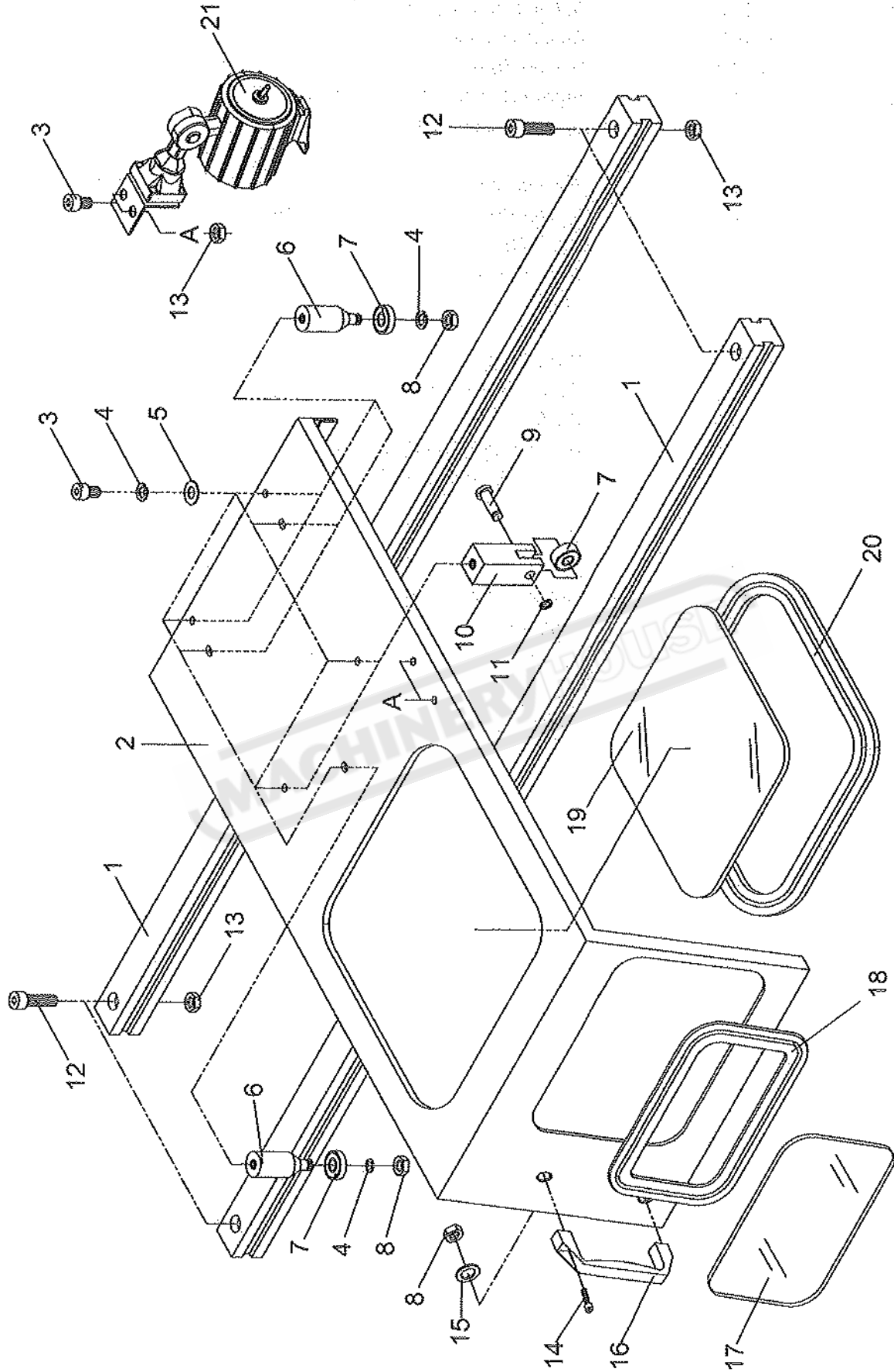
<u>NO.</u>	<u>PART NO.</u>	<u>DESCRIPTION</u>	<u>QUANTITY</u>
1.	C-5001	Cross Slide	1
2.	C-8001	Bed	1
3.	C-9086	Clamp	1
4.	C-9079	Guide Block	1
5.	C-4012	Cross Slide Leadscrew	1
6.	C-4026	Washer	1
7.	A-1724	Nylon Nut (M12)	1
8.	C-4001	Saddle Casting Assembly	1
9.	A-1803	Spring Washer ( $\phi$ 3/8")	2
10.	C-9078	Slide Block	1
11.	A-1258	Socket Head Cap Screw (M8x35)	2
12.	C-4020-1	Rear Strip	1
13.	A-1216	Socket Head Cap Screw (M8x40)	2
14.	A-4005	Pin ( $\phi$ 5x20)	2
15.	A-1213	Socket Head Cap Screw (M8x20)	1
16.	C-9087	Strip	1
17.	A-1169	Socket Headless Set Screw (M8x10)	2
18.	R-9098	Connector	1
19.	R-9099	Holder	1
20.	R-9101	Draw Bar	1
21.	R-9106	Jointer	1
22.	R-9017	Jointer	1
23.	A-1702	Nut (M10)	1
24.	NC-92	Graduated Plate	1
25.	C-9085	Locking Nut	1
26.	A-1202	Socket Head Cap Screw (M6x12)	1
27.	C-9077	Taper Gib	1
28.	C-9074	Taper Gib	1
29.	M-9091	Adjust Screw	1
30.	C-9072	Bottom	1
31.	A-1265	Socket Head Cap Screw (M10x45)	4
32.	C-9071	Bracket	1
33.	C-9080	Cover	1
34.	A-1626	Flat Head Cap Screw (M4x10)	6
35.	C-9076	Slide Block	1
36.	C-9075	Swivel Guide	1
37.	A-4001	Pin ( $\phi$ 3x20)	1
38.	C-9081	Bush	1
39.	C-9082	Adjust Screw	1
40.	A-1205	Socket Head Cap Screw (M6x25)	1
41.	C-9083	Adjust Screw	1
42.	NC-93	Graduated Plate	1
43.	C-9073	Frame	1
44.	A-2000	Bearing (AS1528)	1
45.	A-4007	Pin ( $\phi$ 5x30)	2

### CHUCK SAFETY GUARD (OPTIONAL)



<u>NO.</u>	<u>PART NO.</u>	<u>DESCRIPTION</u>	<u>QUANTITY</u>
1.	A-1509	Button Head Cap Screw (M5 x 10)	4
2.	A-1813	Spring Washer (ø5)	6
3.	A-1909	Washer (ø5)	4
4.	A-1148	Socket Headless Set Screw (M8 x 30)	1
5.	A-1812	Spring Washer (ø1/4")	4
6.	A-1917	Washer (ø6)	4
7.	A-1205	Socket Head Cap Screw (M6 x 25)	4
8.	A-1701	Nut (M8)	1
9.	C-8142	Switch Cover	1
10.	C-8138	Seat	1
11.	C-8141	Switch Box	1
12.	A-1234	Socket Head Cap Screw (M5 x 10)	1
13.	C-8140	Shaft	1
14.	A-1525	Button Head Cap Screw (M6 x 16)	4
15.	A-1102	Socket Headless Set Screw (M6 x 12)	2
16.	A-9139	Window	1
17.	A-9140	Strap	1
18.	C-8137	Chuck Safety Guard	1
19.	C-8139	Supporter	2
20.	A-1101	Socket Headless Set Screw (M6 x 10)	2
21.	C-8138-1	Limit Dog	1

### FULL LENGTH SLIDING CHIP SAFETY GUARD (OPTIONAL)

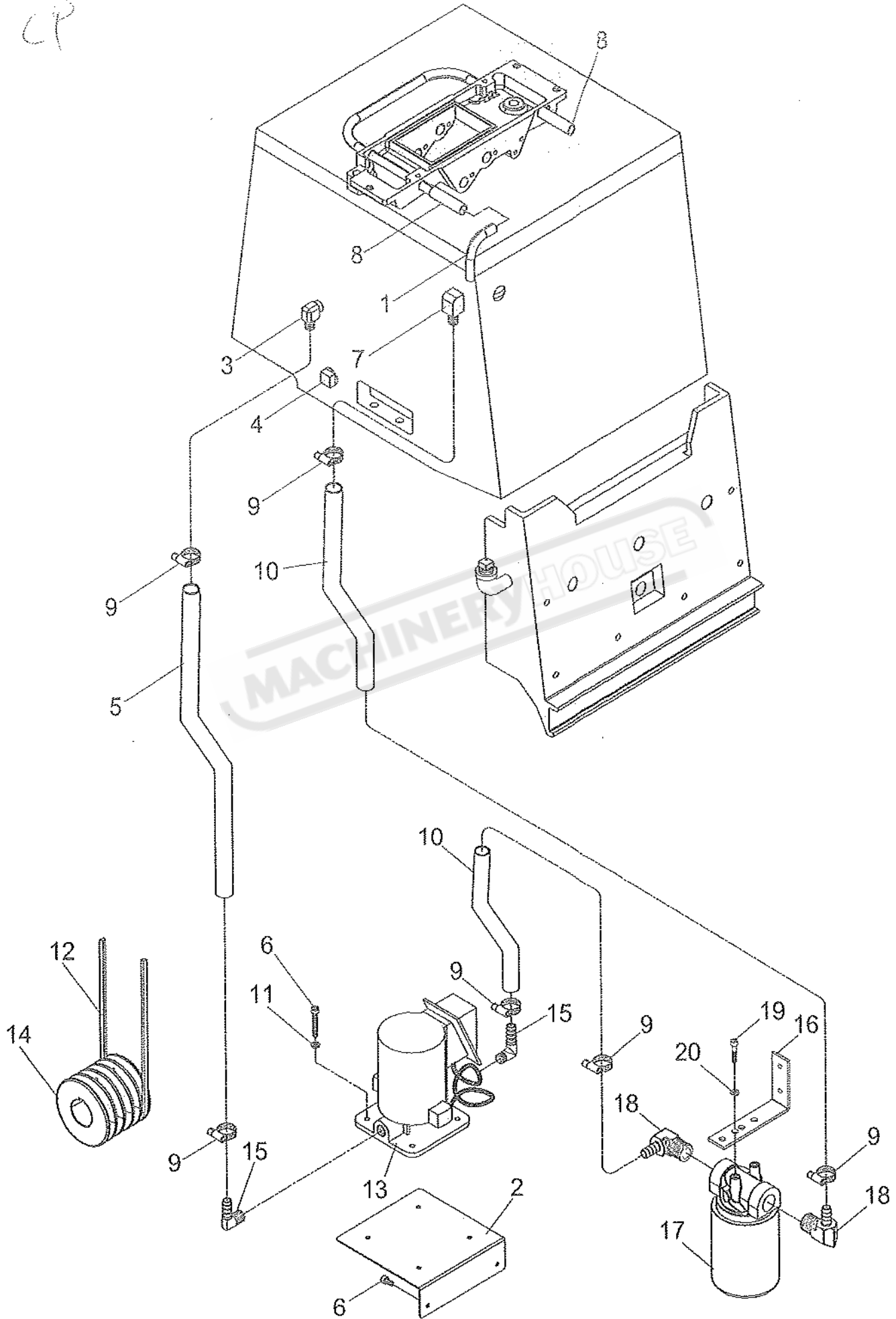




<u>NO.</u>	<u>PART NO.</u>	<u>DESCRIPTION</u>	<u>QUANTITY</u>
1.	C-8113	Guidance	2
2.	C-8112	Chip Safety Guard	1
3.	A-1203	Socket Head Cap Screw (M6 x 16)	9
4.	A-1802	Spring Washer (ø8)	12
5.	A-1917	Washer (ø6)	7
6.	C-8116	Pivot	5
7.	A-2044	Bearing#608ZZ	7
8.	A-1701	Nut (M8)	3
9.	M-8022	Pivot	2
10.	C-8115	Guide Block	2
11.	A-3101	Circlip (E6)	2
12.	A-2108	Socket Head Cap Screw (M6 x 40)	4
13.	A-1700	Nut (M6)	6
14.	A-2111	Socket Head Cap Screw (M8 x 12)	2
15.	A-1918	Washer (ø8)	2
16.	A-9124	Handle	1
17.	A-9141	Window	1
18.	A-9142	Strap	1
19.	A-9128	Window	1
20.	A-9129	Strap	1
21.	ZA2702	Halogen Lamp (Optional)	1
	ZA2701	Halogen Lamp (Long Arm / Optional)	1

# HEADSTOCK LUBRICATION (VARISPEED)

CP



NO.	PART NO.	DESCRIPTION	QUANTITY
1.	C-1154	Connector	1
2.	C-1183	Frame	1
3.	A-4154	Elbow (3/8"PTx1/2"H)	1
4.	A-1126	Plug (3/4"PT)	1
5.	A-4120	Hose	1
6.	A-1202	Socket Head Cap Screw (M6x12L)	6
7.	A-0498	Elbow	1
8.	A-4115	Hoses	2
9.	A-4111	Clamp	4
10.	AA9803	Hose	2
11.	A-1901	Washer ( $\phi$ 6)	4
12.	A-0109	Vee Belt (A-72")	4
13.	A-4102	Pump	1
14.	C-7028-6	Motor Pulley	1
15.	A-4101	Elbow	2
16.	G-7071NC	Frame	1
17.	AA9001	Oil Strainer	1
18.	A-4153	Elbow (1/4"PTx1/8")	1
19.	A-1203	Socket Head Cap Screw (M6x16L)	2
20.	A-1917	Washer ( $\phi$ 6)	2

MACHINERYHOUSE